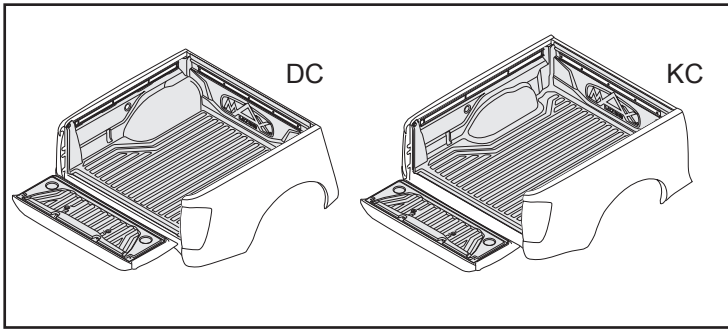


# BEDLINER INSTALLATION INSTRUCTIONS



### Caution for installation

Read this mounting manual carefully, before your start the installation.

1. Area where to install product should be clean.
2. During installation, person who installed should take off any ornaments.

Product name : LINER U/R (NIX H60A 2015 U/R)  
 Model name : NISSAN DC,KC  
 Inst. number : L03-1461

### Component parts

No.	Part name	Q'ty
1.	Bed liner	1 Pc.
2.	Tail gate	1 Pc.
3.	Cover rubber	1 Pc.
4.	Special nut M6	2 Pcs.
5.	Rubber washer D22	2 Pcs.
6.	Plain washer M6 OD24	2 Pcs.
7.	Cup washer	2 Pcs.
8.	Special truss head tapping screw M6x6L	2 Pcs.
9.	Plastic cap	2 Pcs.
10.	Truss cross head tapping screw M6x25	6 Pcs.
11.	Plain washer OD20	6 Pcs.
12.	Plain washer plastic 8/18	6 Pcs.

### Tools used



### Instruction procedure

**1** 1.1

DC=x8  
KC=x12

x5

1.2

**2**

DC=x21

KC=x29

## Instruction procedure

