
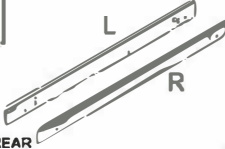
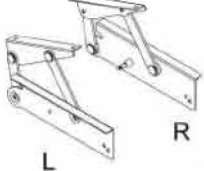







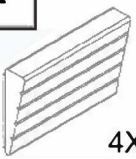






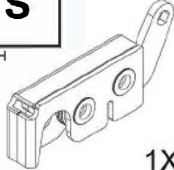
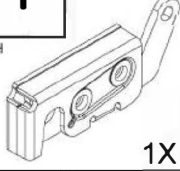



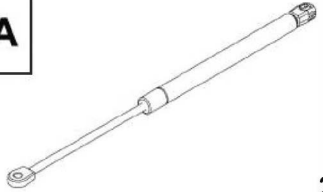

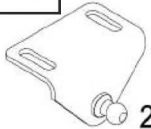

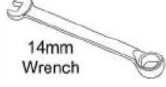
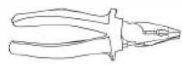



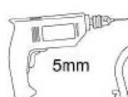
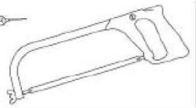


UpStoneEvolve

INSTALLATION INSTRUCTIONS EVO428

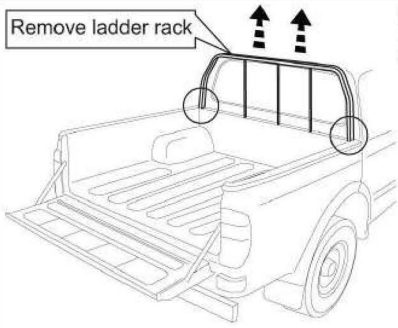
MERCEDES CLASSE X

A  1X	B  REAR 1X	C  L R 1X	D  2X		
E  4X	F M8x25mm  4X	G M8 x16 Stainless Steel Washer  6X	H M8 Stainless Steel Spring Washer  2X	I  2X	J  2X
K  4X	L  2X	M M8 Nylock  4X	N M6x18  12X	O M6x13mm Zinc  12X	P M6x10mm  8X
R M8 x16 Zinc Washer  4X	S RH  1X	T LH  1X	U M5 Cable Bolt, Washer & Dome Nut  2X	V  2X	
W  2X	X	Y	Z	AA  2X	
AB  1X	AC  2X	<p>Note 1: If at any stage of installation you find your sportlid to be an unacceptable fit please contact the manufacturer before continuing.</p> <p>Note 2: If required, use Under Rail Bed Liner only. NOT FOR USE WITH OVER RAIL BED LINER!</p> <p>Tools Required:</p>      <p>OPTIONAL</p>   			

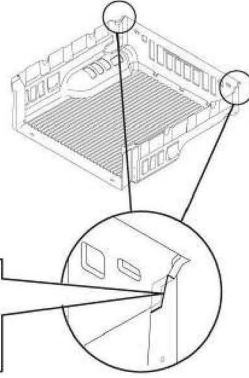
Fitting Kit Number	Product	Revision	Date	Page
KIT428RLBF	Upstone Lid	1	10-09-2013	

1

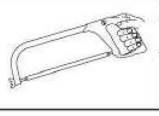
Remove ladder rack



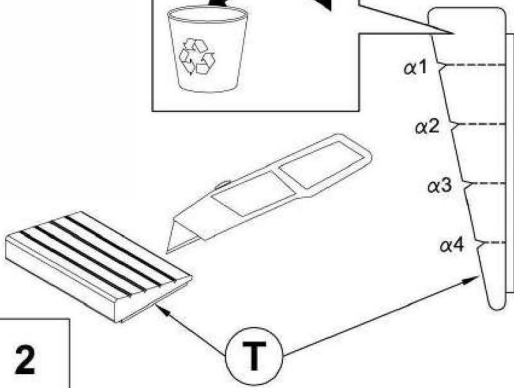
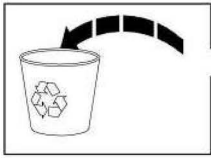
Note 2: If required, use Proform Under Rail Bed Liner only. Not for use with Over Rail Bed Liner.



Follow guide lines to trim liner in front corners.

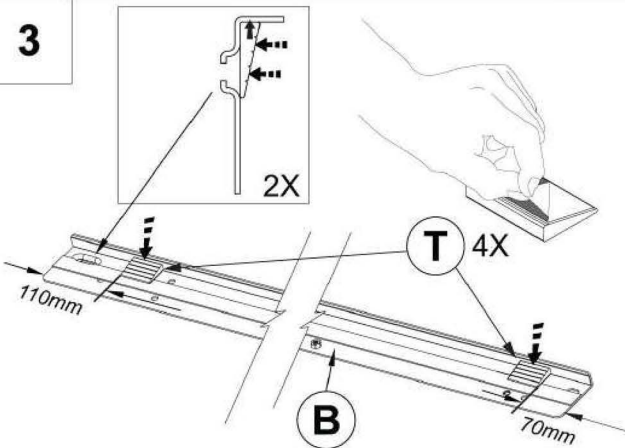


2

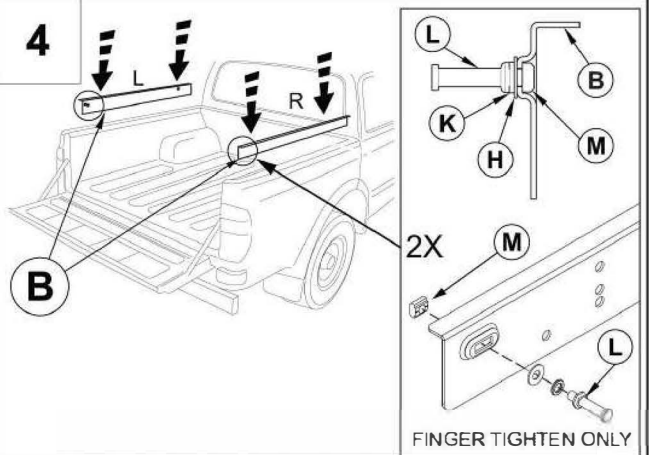


Vehicle Model	α
Mercedes Classe X 2016+	2

3



4

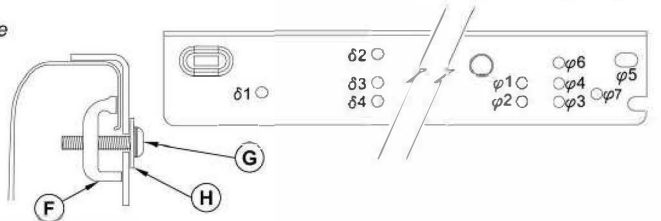
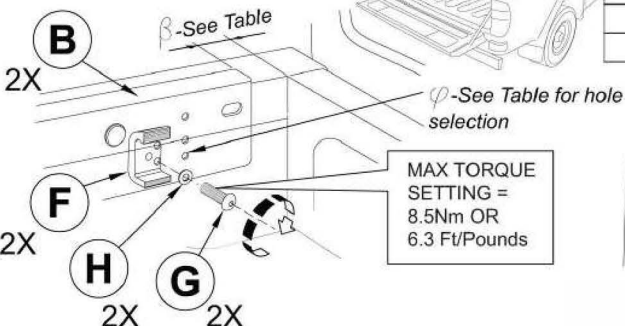


FINGER TIGHTEN ONLY

5

Place front of side mounting brackets back from inside corners of the cargo box - See table for measurement

Vehicle Model	β	δ	φ
Mercedes Classe X 2016+	80mm	1	7

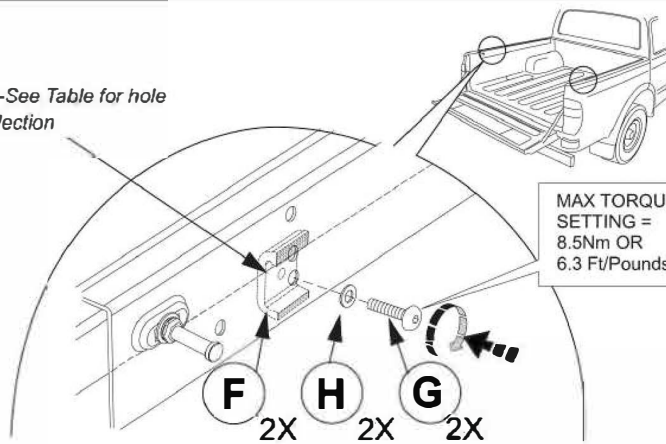


Fitting Kit Number	Product	Revision	Date	Page
KIT428RLBF	Upstone Lid	1	19.03.2018	2 of 7

6

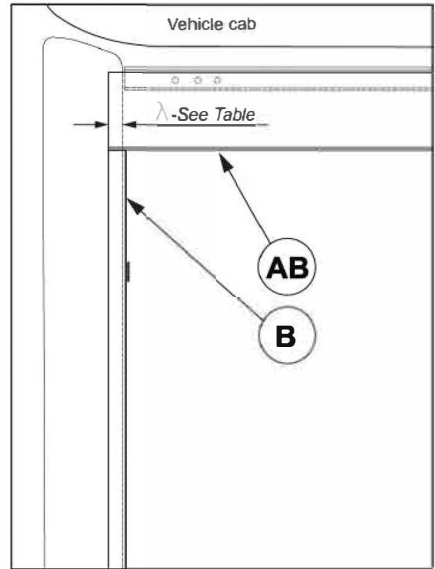
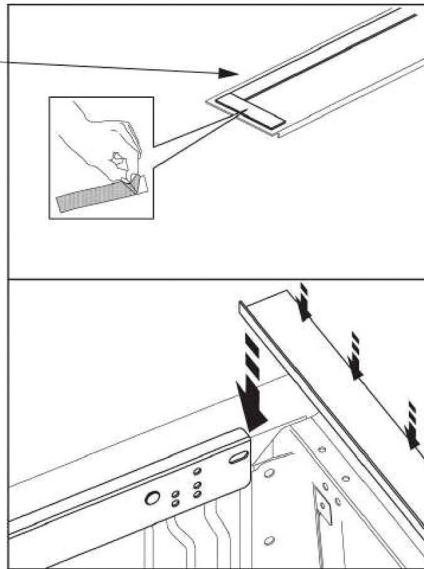
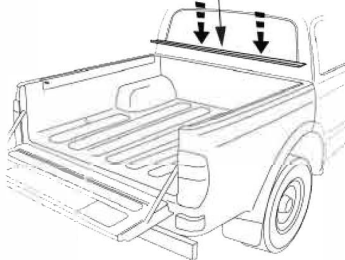
⌀ -See Table for hole selection

MAX TORQUE
SETTING =
8.5Nm OR
6.3 Ft/Pounds



7

AB



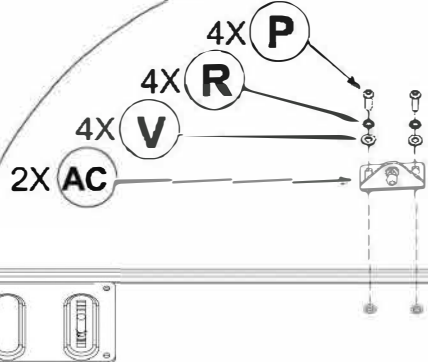
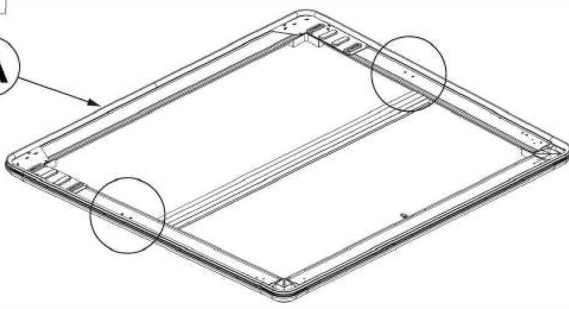
Vehicle Model	λ
Mercedes Classe X 2016+	25mm



DO NOT apply below 15°C.
Apply pressure to part. Adhesive is pressure activated.
Allow 3hrs minimum to cure before installing lid

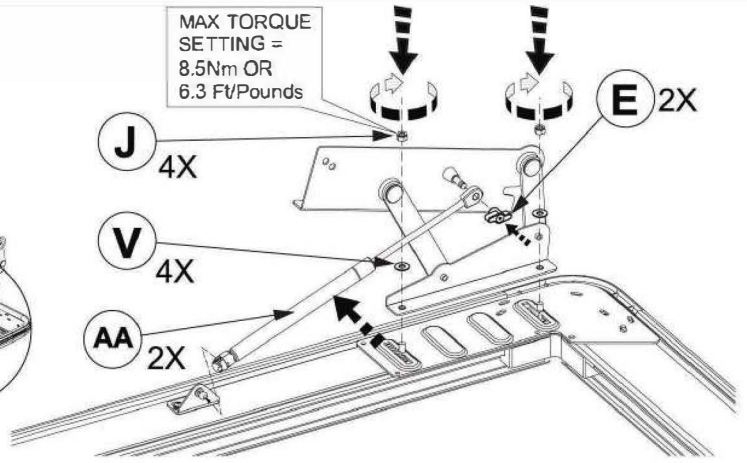
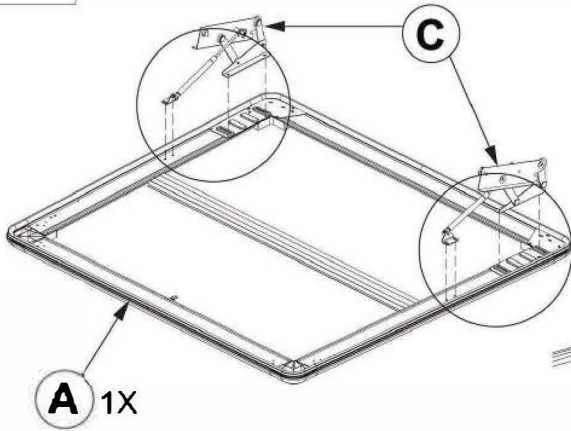
8

A

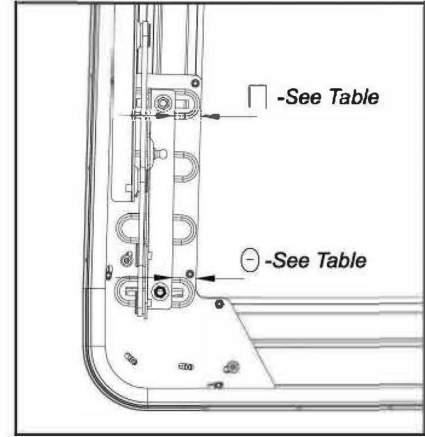


Fitting Kit Number	Product	Revision	Date	Page
KIT428RLBF	Upstone Lid	1	19.03.2018	3 of 7

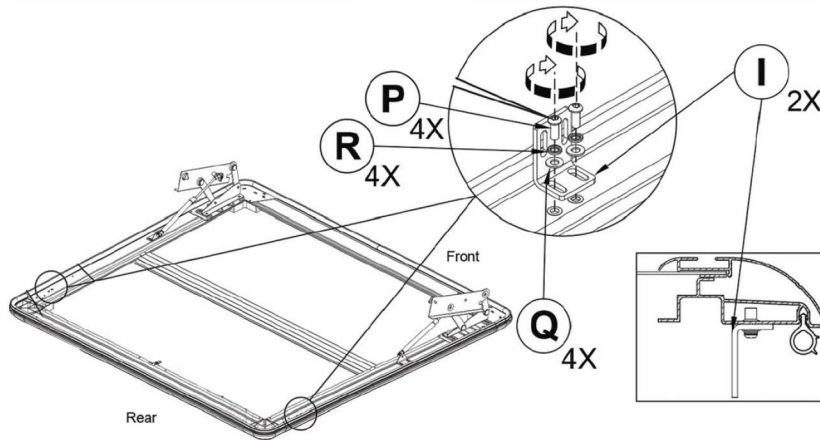
9



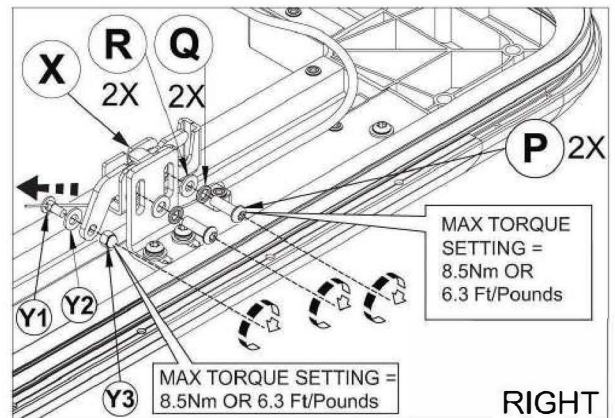
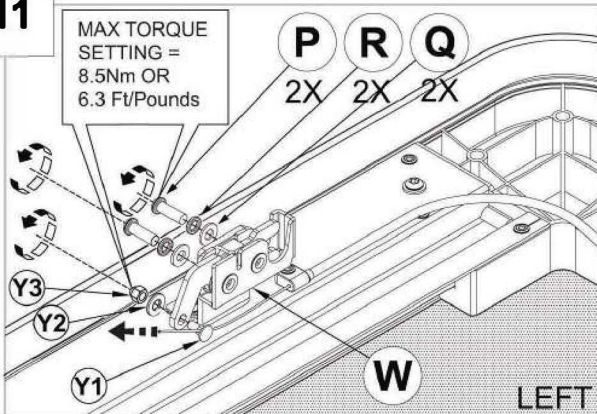
Vehicle Model	□	⊙	Σ
Mercedes Classe X 2016+	25mm	25mm	-



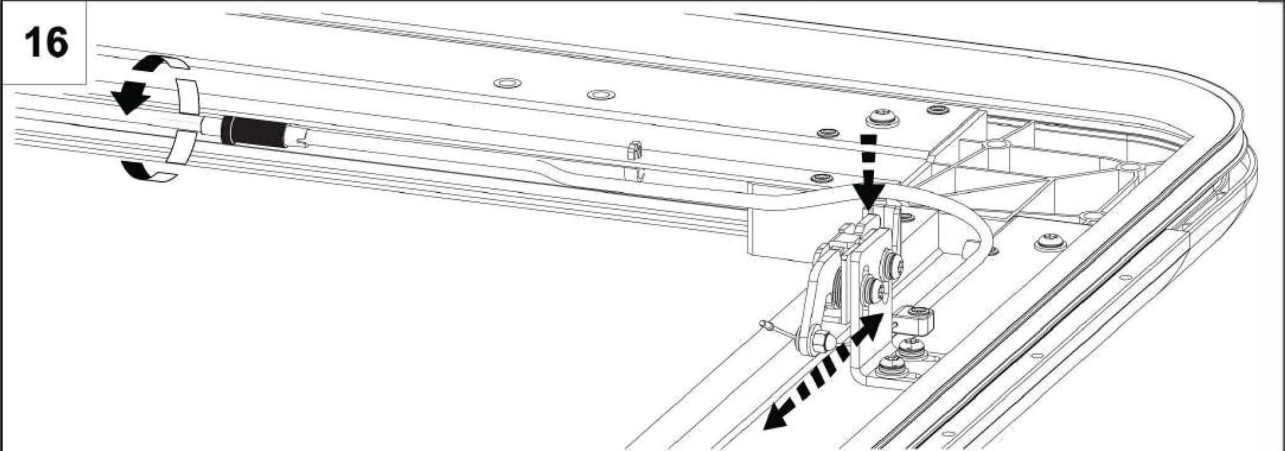
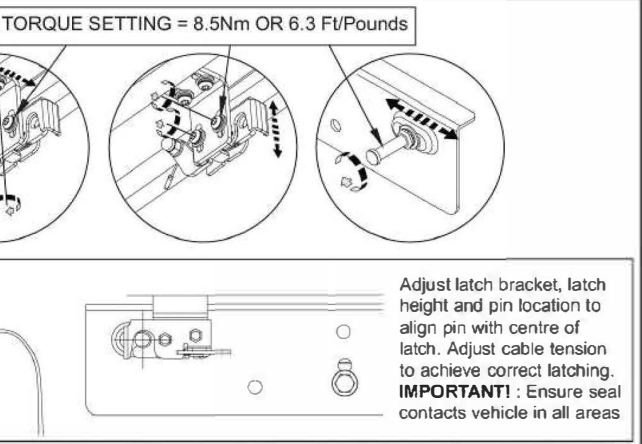
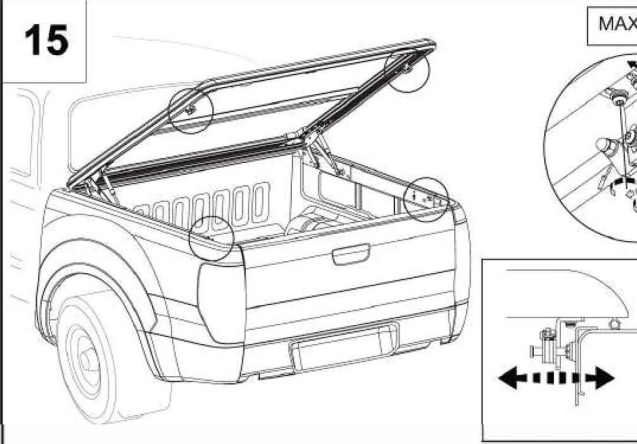
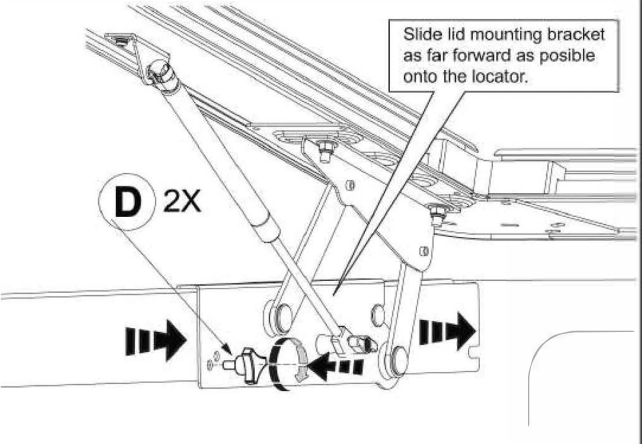
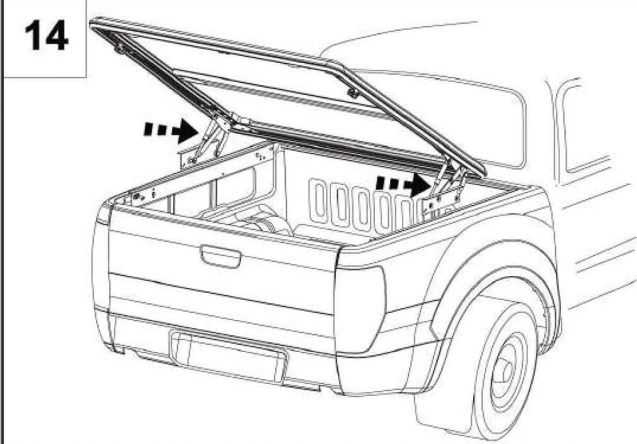
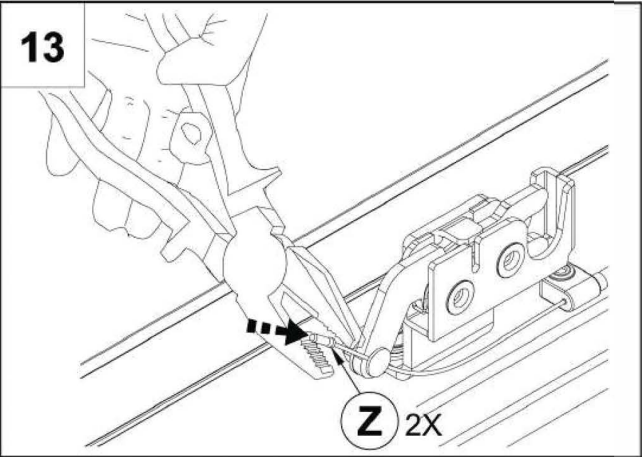
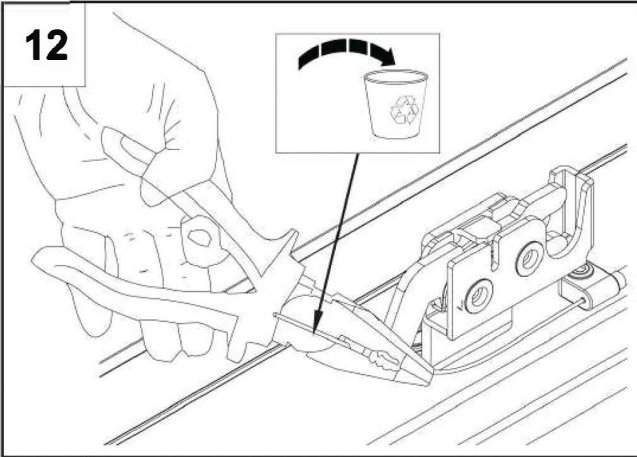
10



11



Fitting Kit Number	Product	Revision	Date	Page
KIT428RLBF	Upstone Lid	1	19.03.2018	4 of 7

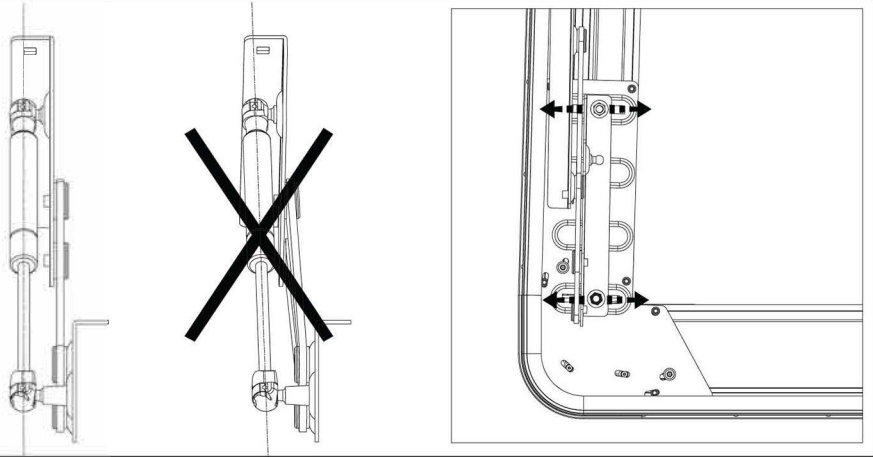


Fitting Kit Number	Product	Revision	Date	Page
KIT428RLBF	Upstone Lid	1	19.03.2018	5 of 7

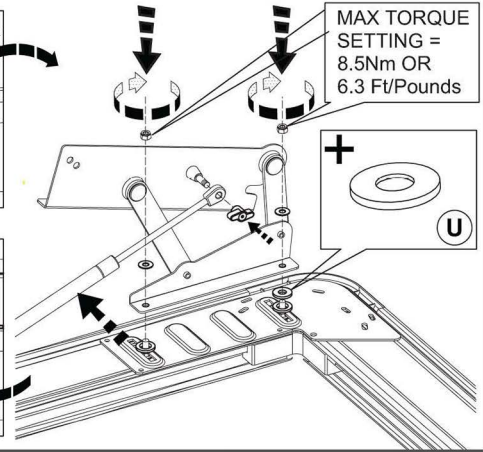
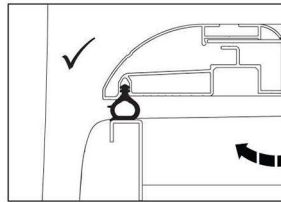
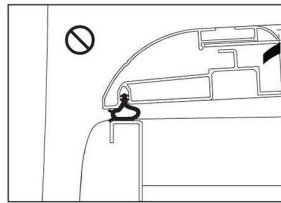
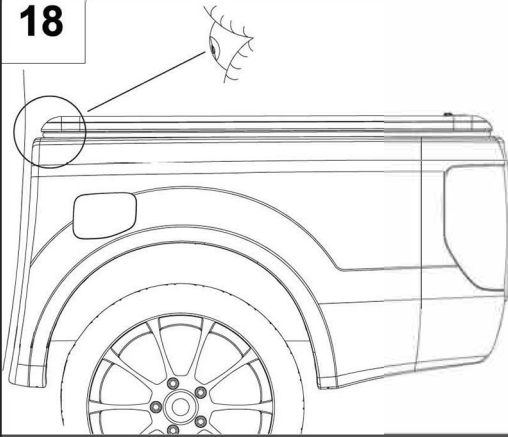
17



Insure hinge is not twisted.
Adjust connection to lid if nessessary.

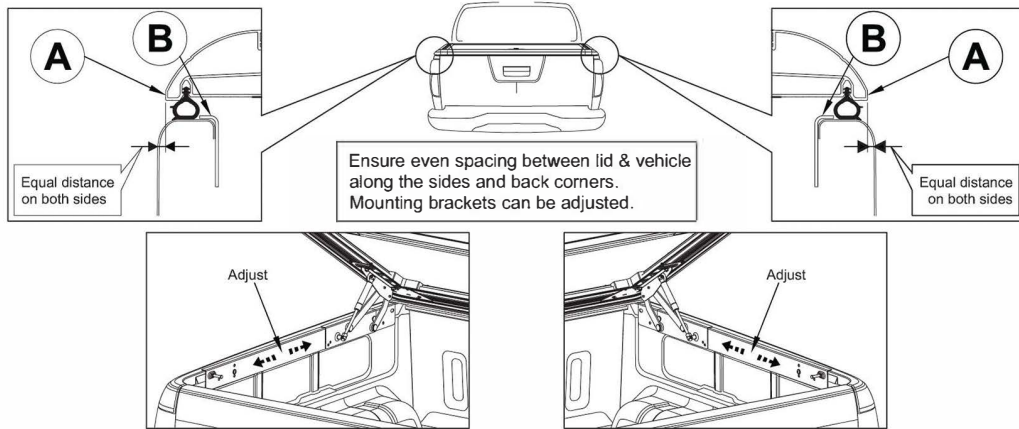


18



Fitting Kit Number	Product	Revision	Date	Page
KIT428RLBF	Upstone Lid	1	01.07.2016	6 of 7

19



After installation carefully and thoroughly clean all debris from the inside of the cargo box.
Retain these instructions for future reference



CAUTION!

- NEVER allow people or animals under the closed cover
- Do not place unsealed solvents or chemicals under the cover
- Do not stand or place heavy objects on the cover
- Do not open lid when under load.
- Close the cover before operating the vehicle
- Do not allow oil, solvents or chemicals to contact the cover
- Clean only with a mild detergent and water solution

Fitting Kit Number	Product	Revision	Date	Page
KIT428RLBF	Upstone Lid	1	01.07.2016	7 of 7



Item Code

RLB76A

:

RLB76AB

Codice Articolo












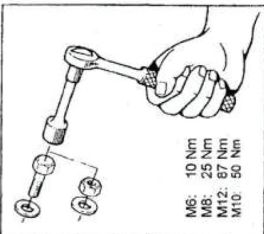
Reference Article

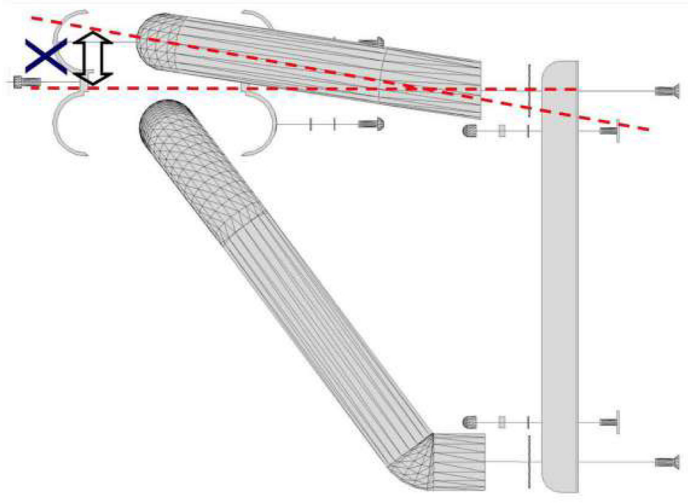
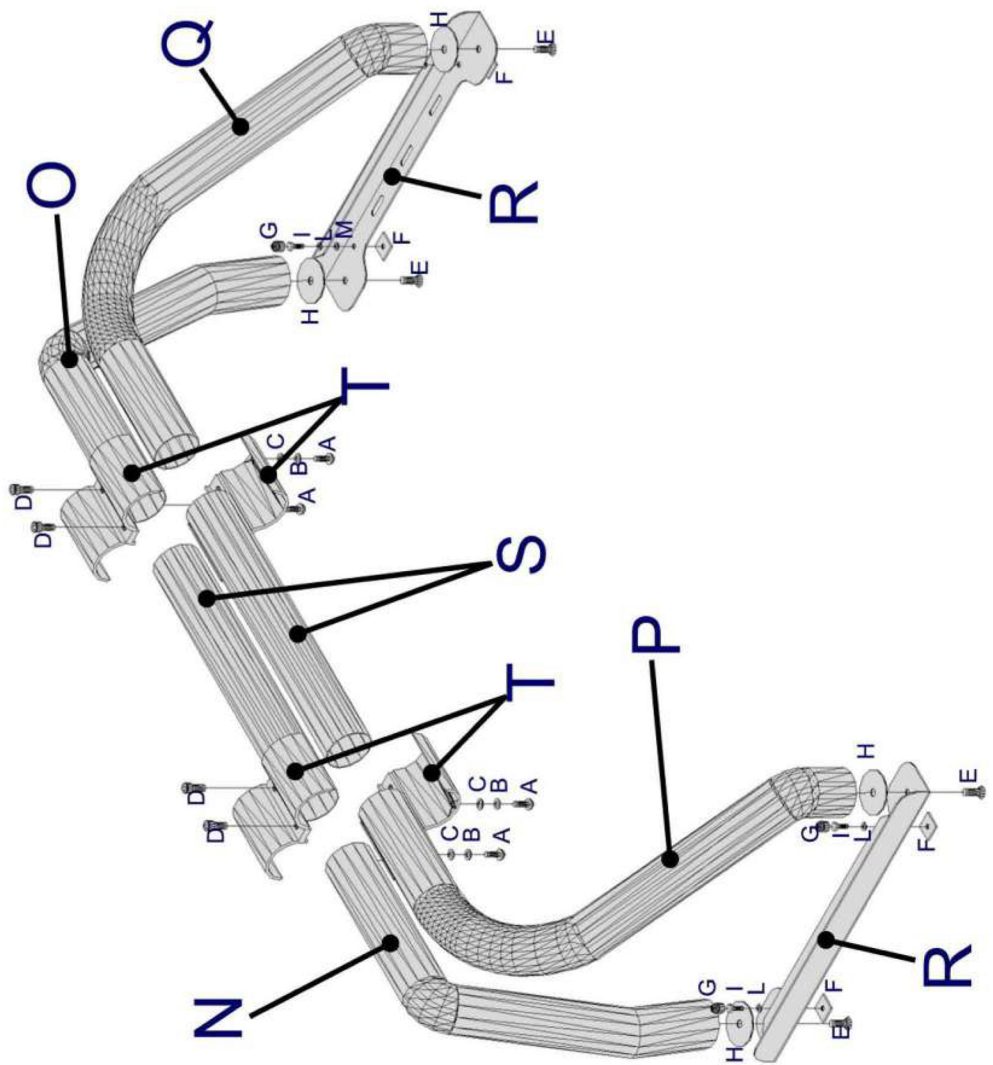
GB

STAINLESS STEEL
MEDIUM BAR

FR

MEDIUM BAR
EN ACCIER INOX

Part List					
Liste des pièces					
A	 TBCEI 8X25 x 4	 Ø 8 x 4	 Ø 8 x 4	 TCEI 10X25 x 4	 TSPEI M10X25 x 4
F	 M6 x 4	 Cappelletti M 6 x 4	 VIPLA Ø 80 x 4	 TE 6X15 x 4	 BIG Ø 6 GRAND x 4
M	 Ø 6 x 4	N AS7/SX x1	O AS7/DX x1	P PS7/SX x1	Q PS7/DX x1
R	RLS/7TR x2	S RLB/06 x2	T RLB Ø76 x2		 M6: 10 Nm M8: 25 Nm M12: 77 Nm M16: 50 Nm



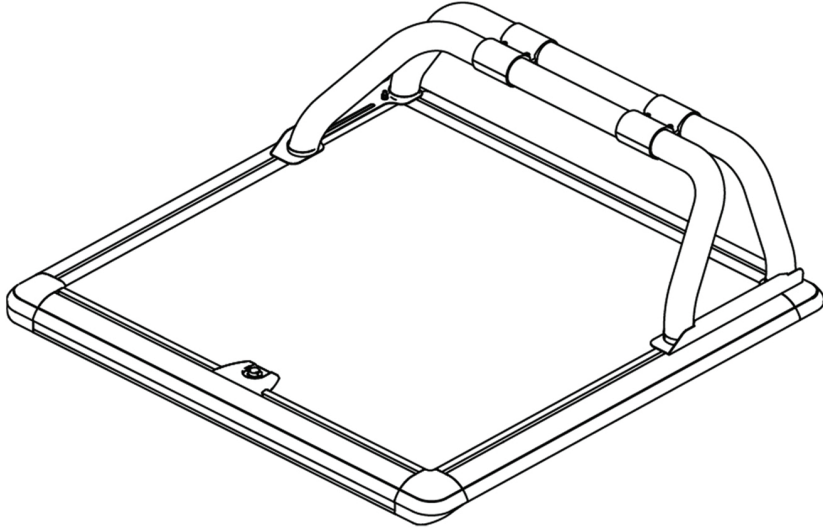
WARNING: fit the N and O front bends as shown in the drawing

ATTENTION: monter les curves anterieures N et O comme indique dans le dessin.

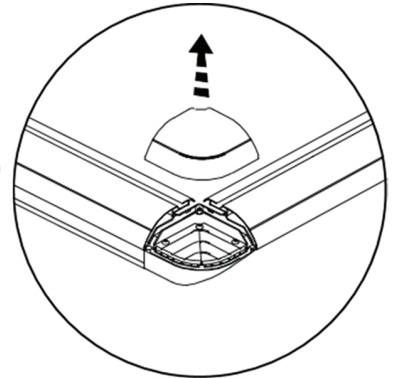
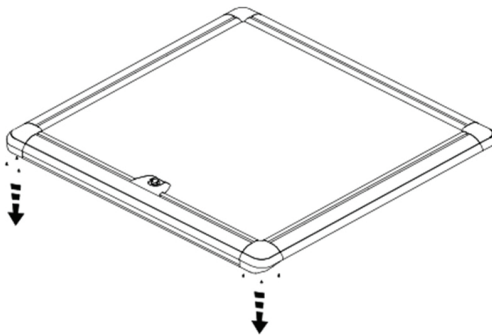
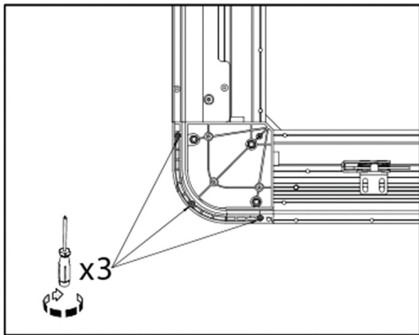
UpStoneEvolve

INSTALLATION INSTRUCTIONS WITH ROLL BAR

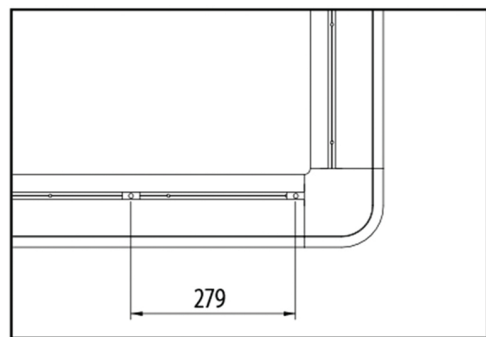
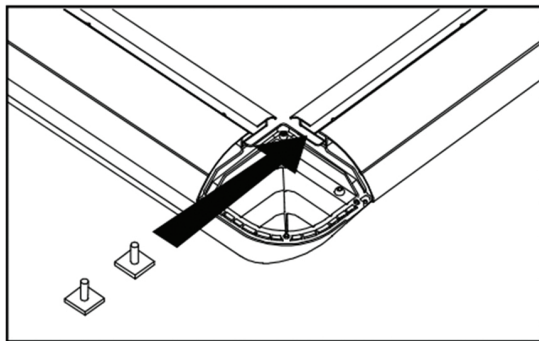
RLB76



- 1** Remove caps by unscrewing the 3 screws in the back corner both left and right.



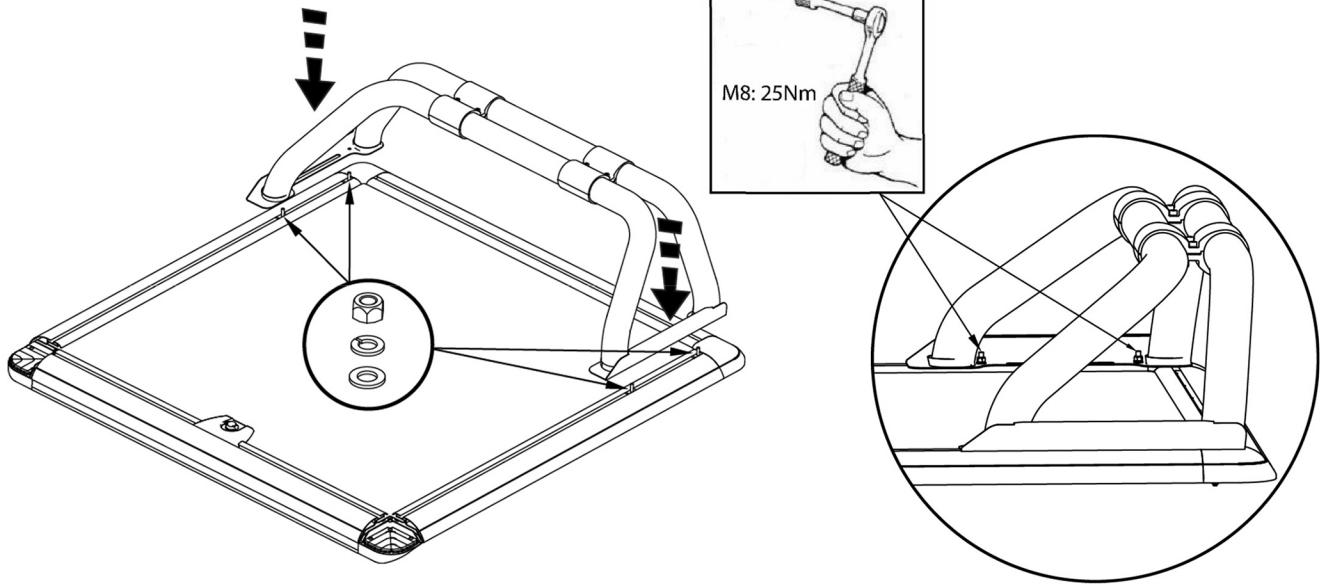
- 2** Insert 2 x Square bolts in both the left and right rails.



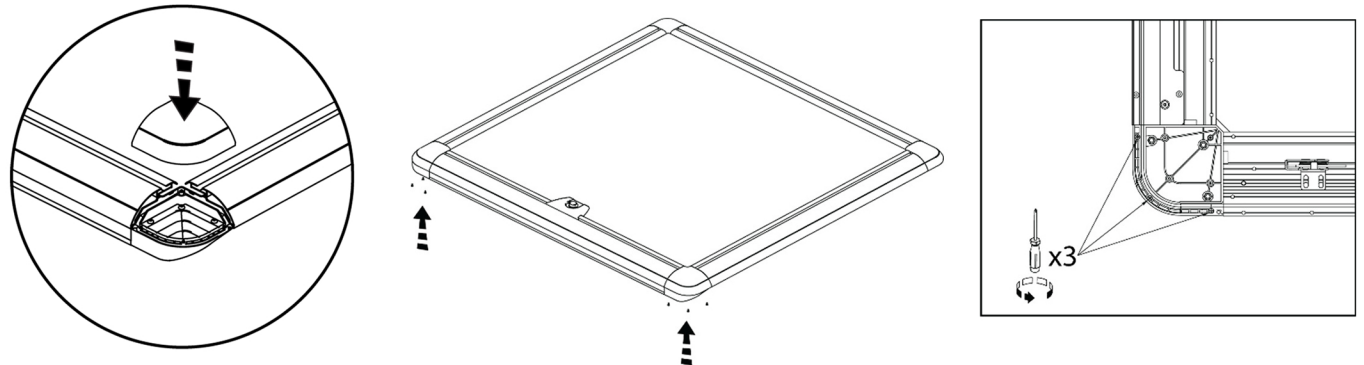
Fitting Kit Number	Product	Revision	Date	Page
RLB76F	Medium SS Bar	1	29.09.2017	1 of 2

3

Place the sport bar onto the cover aligning the holes on the foot plate with the square bolts inserts.
Fix with nut, spring washer and washer.

**4**

Replace the caps on the covers corners



Fitting Kit Number	Product	Revision	Date	Page
RLB76F	Medium SS Bar	1	29.09.2017	2 of 2

UpStoneEvolve

Info@upstone.fr