
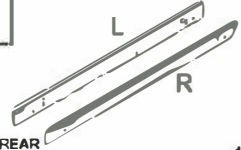
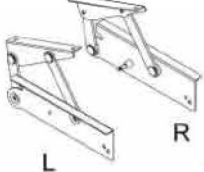







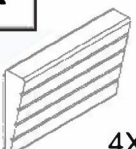







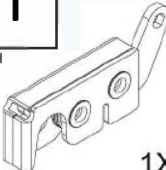
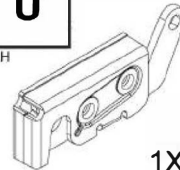





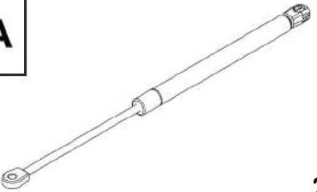

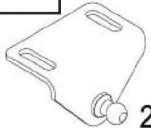
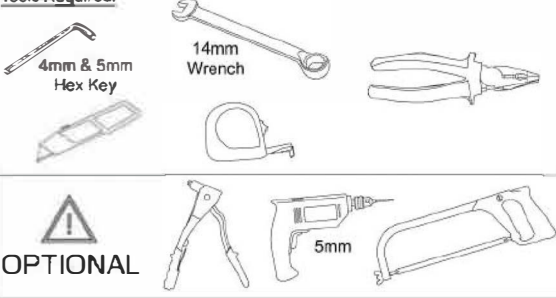


UpStoneEvolve

INSTALLATION INSTRUCTIONS EVO650 (MISTUBISHI)

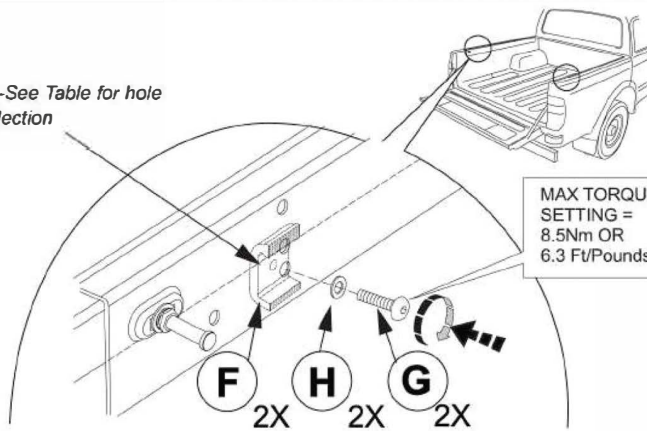
MITSUBISHI L200 CLUB CAB 2016+ WITH RLB

A  1X	B  1X	C  1X	D  2X		
E  4X	F  4X	G  6X	H  2X	I  2X	J  2X
K  4X	L  2X	M  4X	N  12X	O  12X	P  8X
R  4X	S  4X	T  1X	U  1X	V  2X	
W  2X	X  2X	Y  2X	Z  2X	AA  2X	
AB  1X	AC  2X	<p>Note 1: If at any stage of installation you find your sportlid to be an unacceptable fit please contact the manufacturer before continuing.</p> <p>Note 2: If required, use Under Rail Bed Liner only. NOT FOR USE WITH OVER RAIL BED LINER!</p> <p>Tools Required:</p>  <p>OPTIONAL</p>			
Fitting Kit Number KIT650RLBF	Product Upstone Lid	Revision 1	Date 10-09-2013	Page 1 of 7	

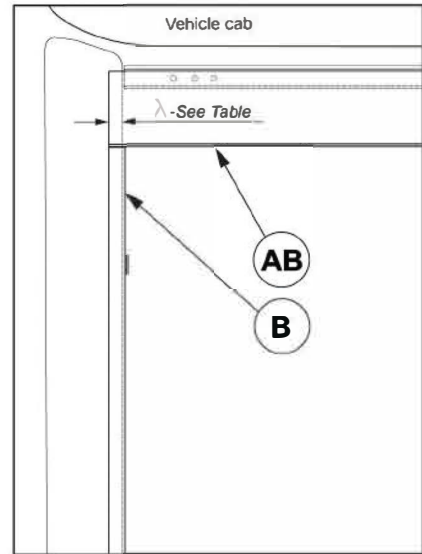
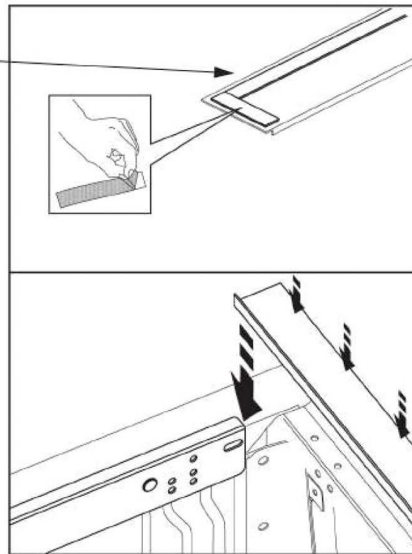
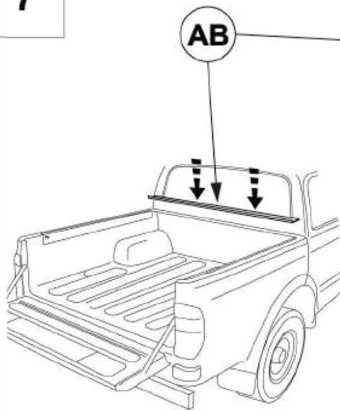
6

⌀ -See Table for hole selection

MAX TORQUE
SETTING =
8.5Nm OR
6.3 Ft/Pounds



7

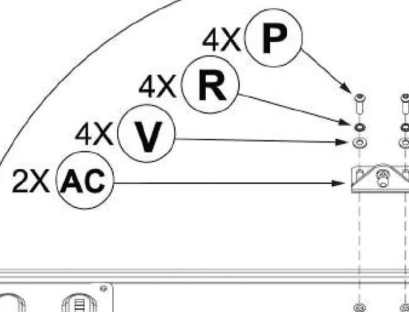
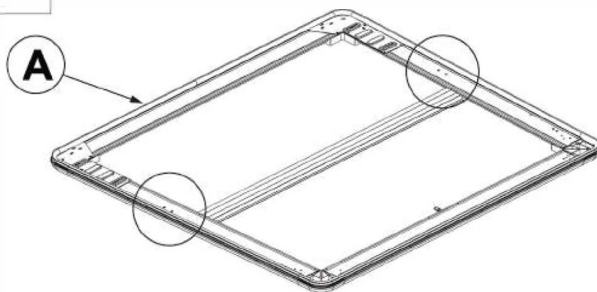


Vehicle Model	λ
Mitsubishi L200 club cab 2016+	-



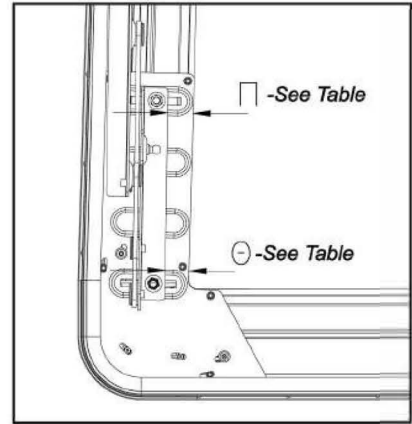
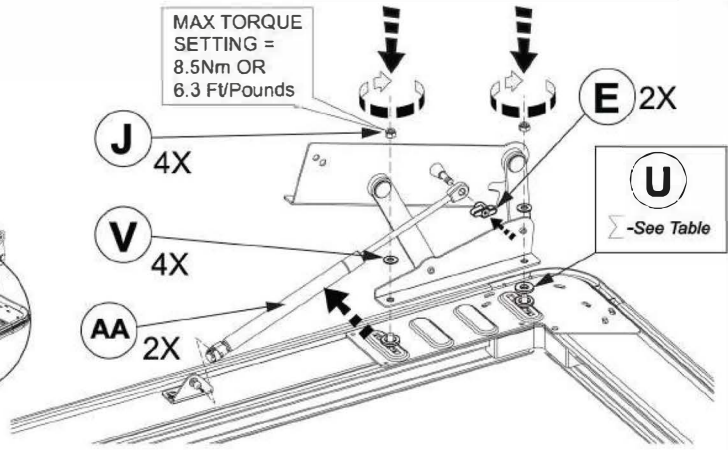
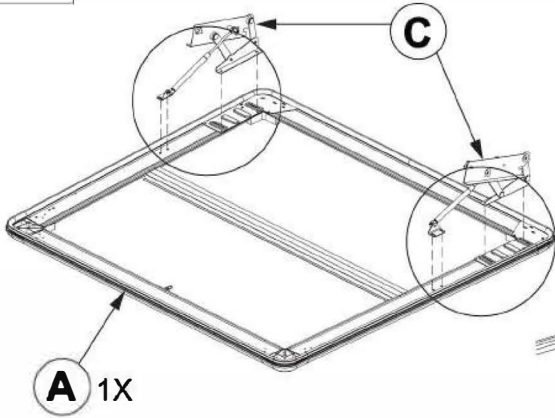
DO NOT apply below 15°C.
Apply pressure to part. Adhesive is pressure activated.
Allow 3hrs minimum to cure before installing lid

8



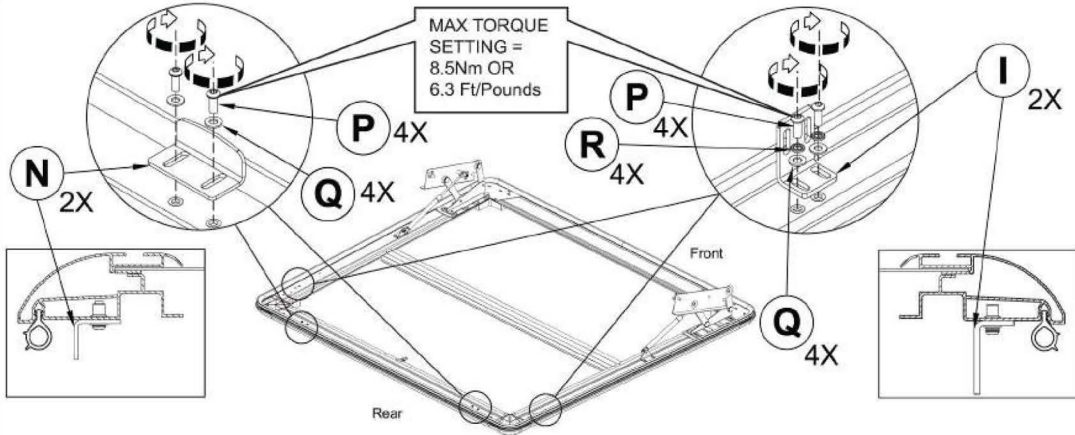
Fitting Kit Number	Product	Revision	Date	Page
KIT650RLBF	Upstone Lid	1	10-09-2013	3 of 7

9

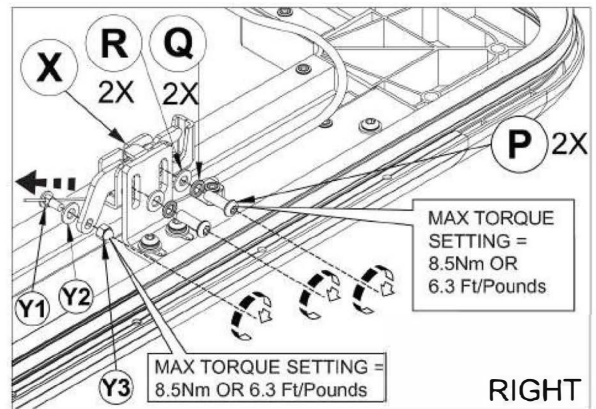
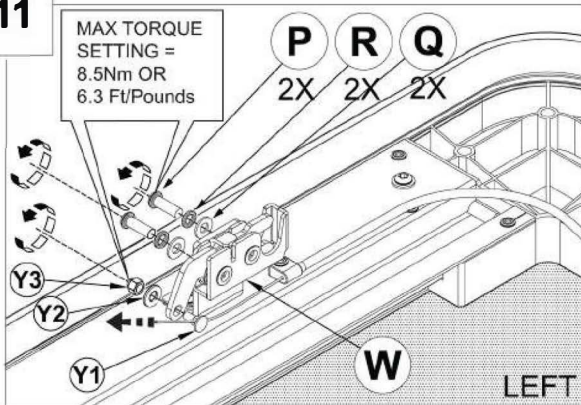


Vehicle Model	□	⊖	Σ
Mitsubishi L200 club cab 2016+	25 mm	25 mm	-

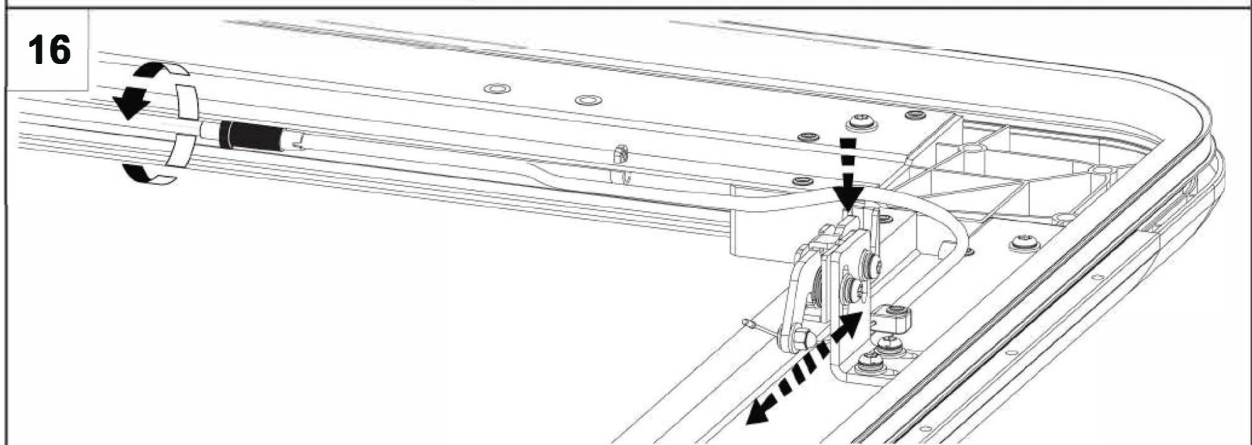
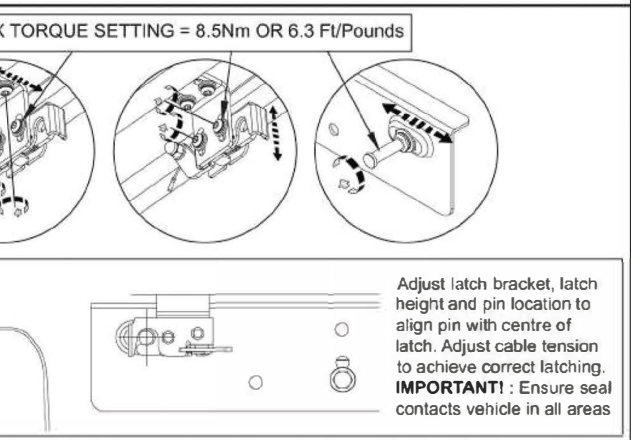
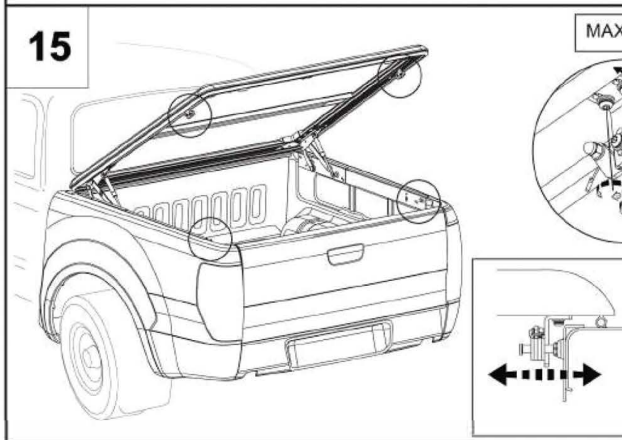
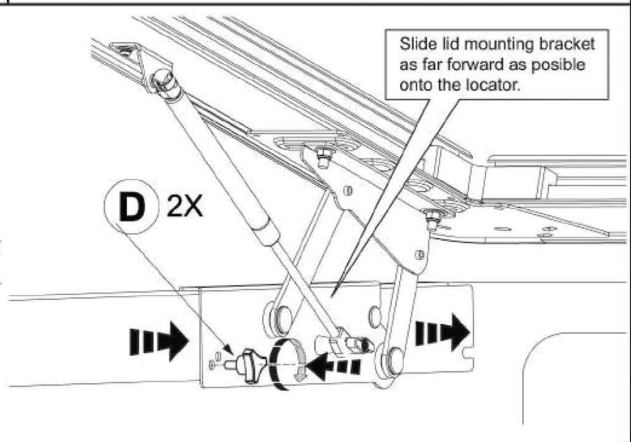
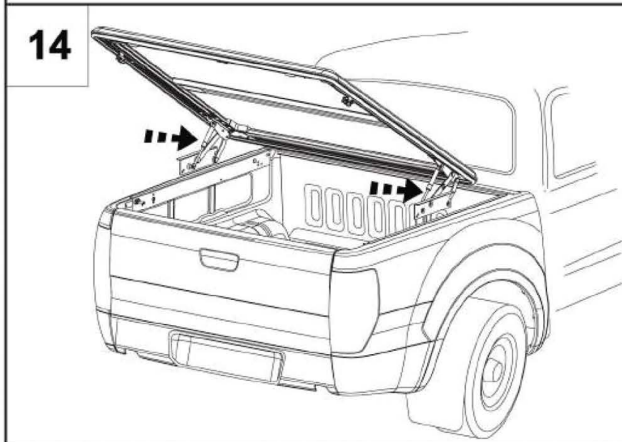
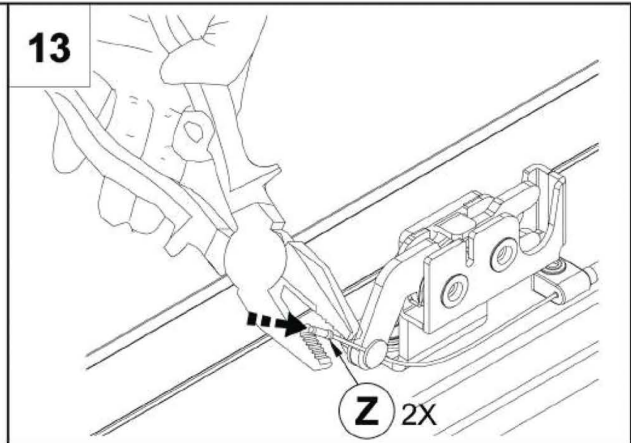
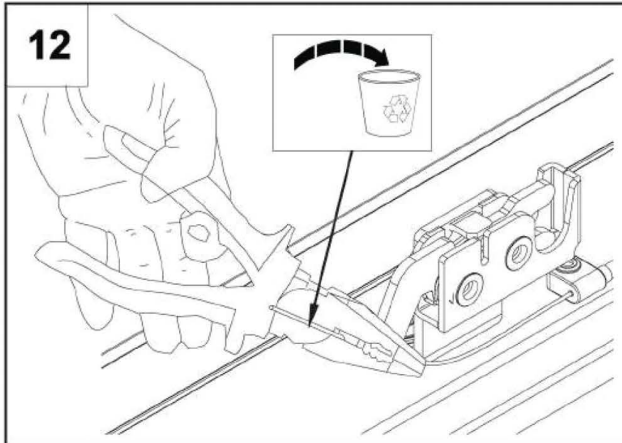
10



11

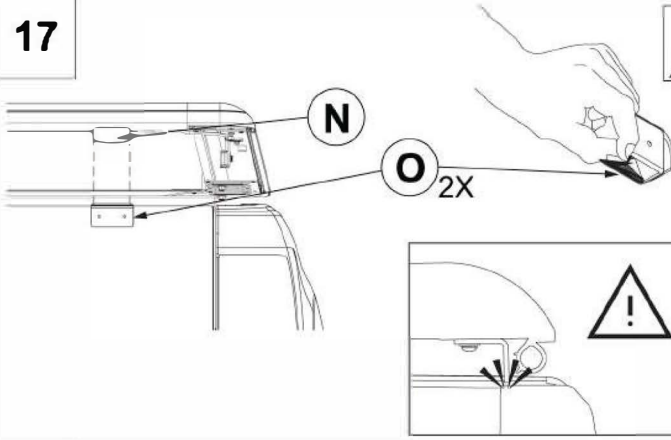



Fitting Kit Number	Product	Revision	Date	Page
KIT650RLBF	Upstone Lid	1	10-09-2013	4 of 7

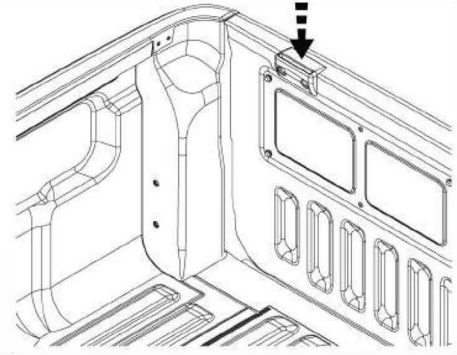


Fitting Kit Number	Product	Revision	Date	Page
KIT650RLBF	Upstone Lid	1	10-09-2013	5 of 7

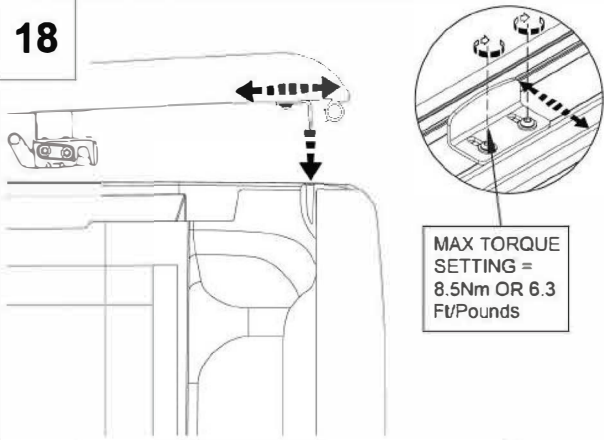
17



 DO NOT apply below 15°C.
Apply pressure to part. Adhesive is pressure activated.
Allow 3hrs minimum to cure.

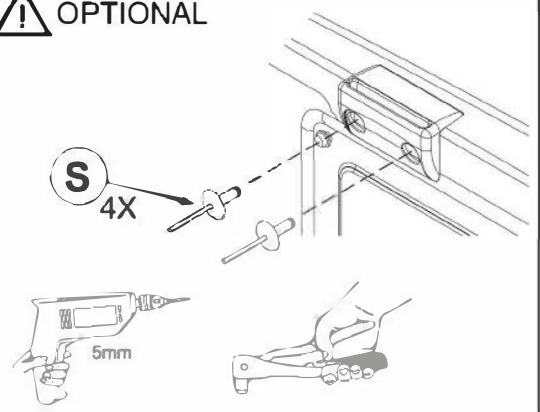


18



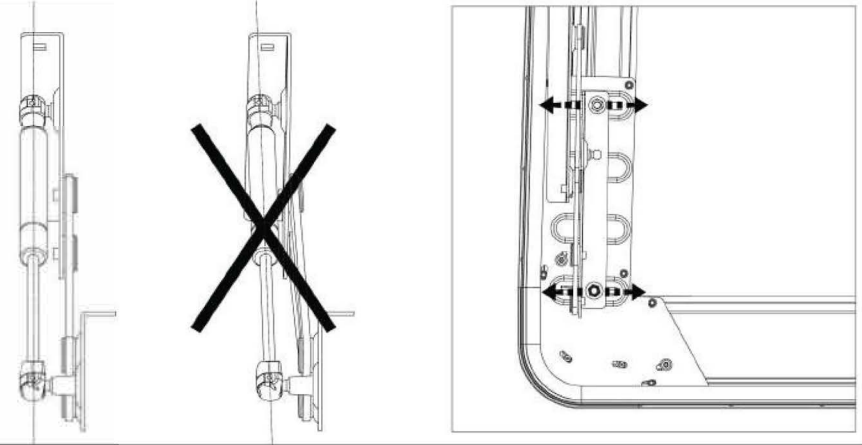
19

 OPTIONAL

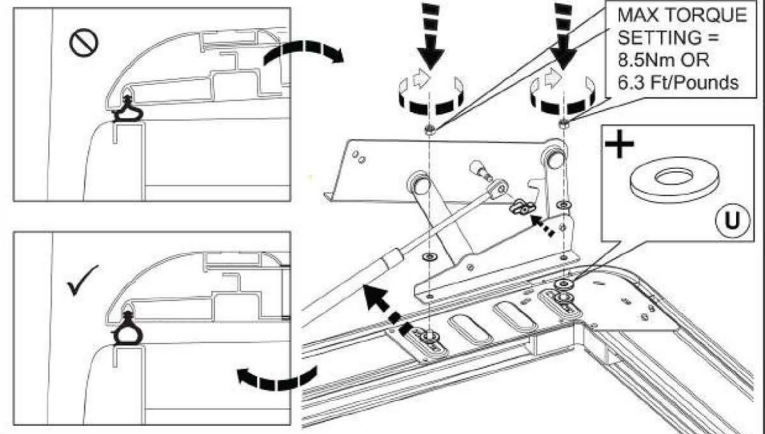
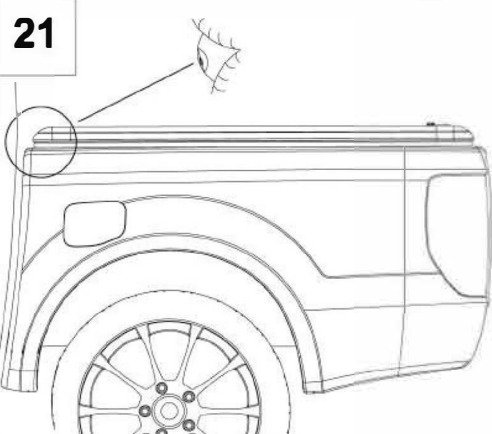


20

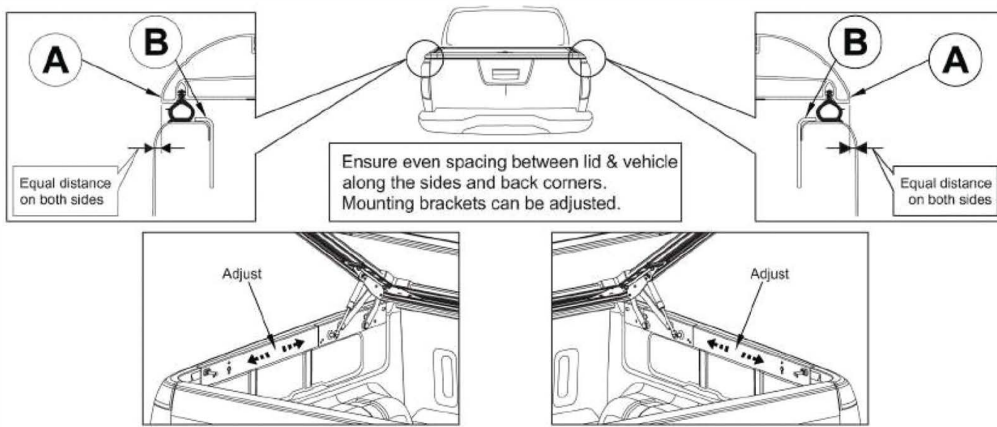
 Insure hinge is not twisted.
Adjust connection to lid if nessessary.



21



Fitting Kit Number	Product	Revision	Date	Page
KIT650RLBF	Upstone Lid	1	10-09-2013	6 of 7



After installation carefully and thoroughly clean all debris from the inside of the cargo box.
Retain these instructions for future reference



CAUTION!

- NEVER allow people or animals under the closed cover
- Do not place unsealed solvents or chemicals under the cover
- Do not stand or place heavy objects on the cover
- Do not open lid when under load.
- Close the cover before operating the vehicle
- Do not allow oil, solvents or chemicals to contact the cover
- Clean only with a mild detergent and water solution

Fitting Kit Number	Product	Revision	Date	Page
KIT650RLBF	Upstone Lid	1	10-09-2013	7 of 7

MITSUBISHI L200 2016+ double & club cab



Item Code

Codice Articolo

Référence Article

EVRLB76L
;
EVRLB76LX

GB

STAINLESS STEEL
MEDIUM BAR









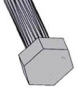

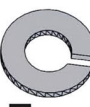
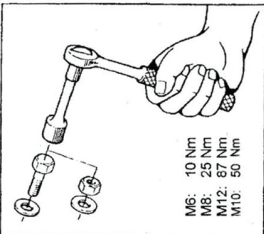
FR

MEDIUM BAR
EN ACCIER INOX

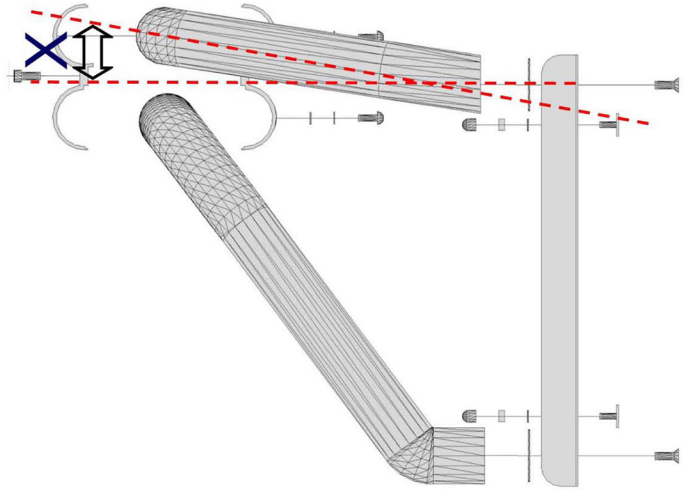
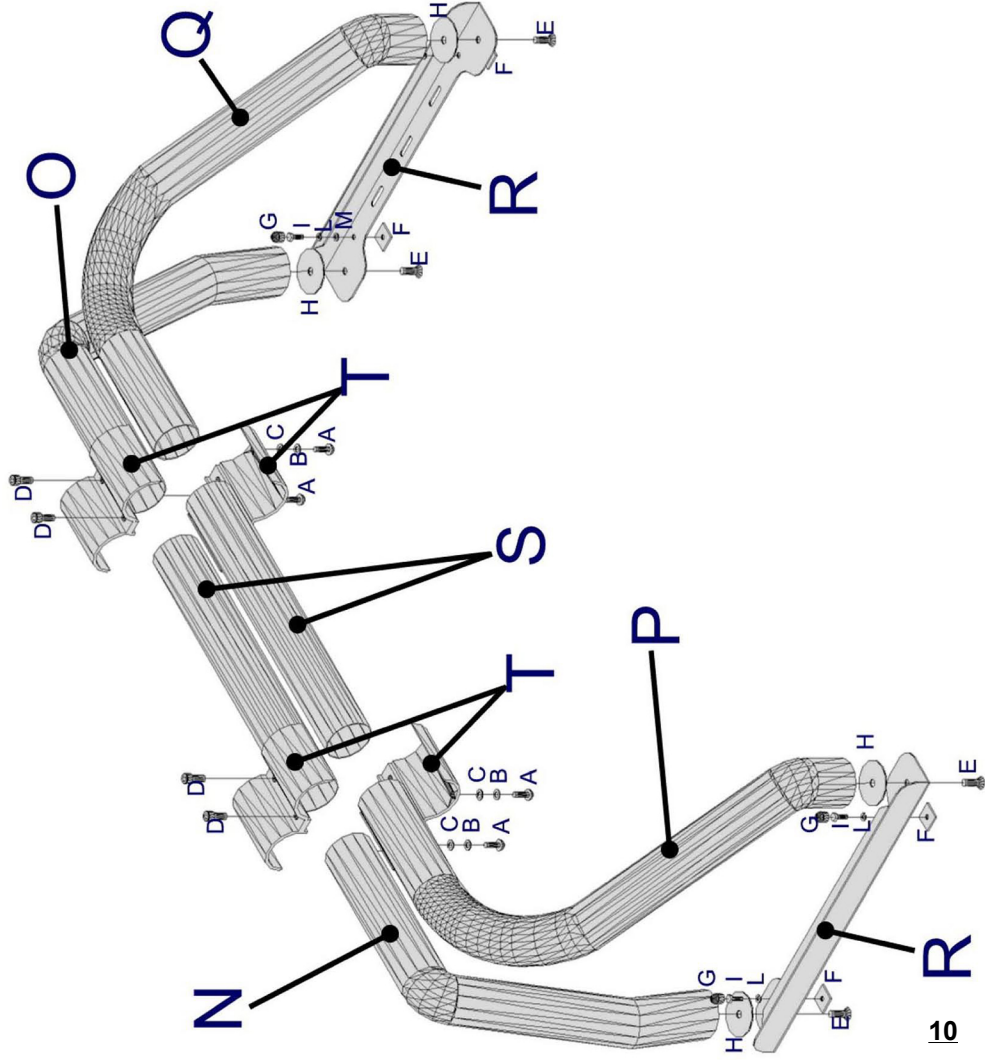
mitsubishi L200 2016+ Double & Club cab

Part List

Liste des pièces

A	 TBCEI 8X25 x 4	B	 Ø 8 x 4	C	 Ø 8 x 4	D	 TCEI 10X25 x 4	E	 TSPEI M10X25 x 4
F	 M6 x 4	G	 Cappelletti M 6 x 4	H	 VIPLA Ø 80 x 4	I	 TE 6X15 x 4	L	 BIG Ø 6 GRAND x 4
M	 Ø 6 x 4	N	AS7/SX x1	O	AS7/DX x1	P	PS7/SX x1	Q	PS7/DX x1
R	RLS/7TR x2	S	RLB/06 x2	T	RLB Ø76 x2	 <p>M6: 10 Nm M8: 25 Nm M10: 57 Nm M12: 50 Nm</p>			

MITSUBISHI L200 2016+ Double & Club cab



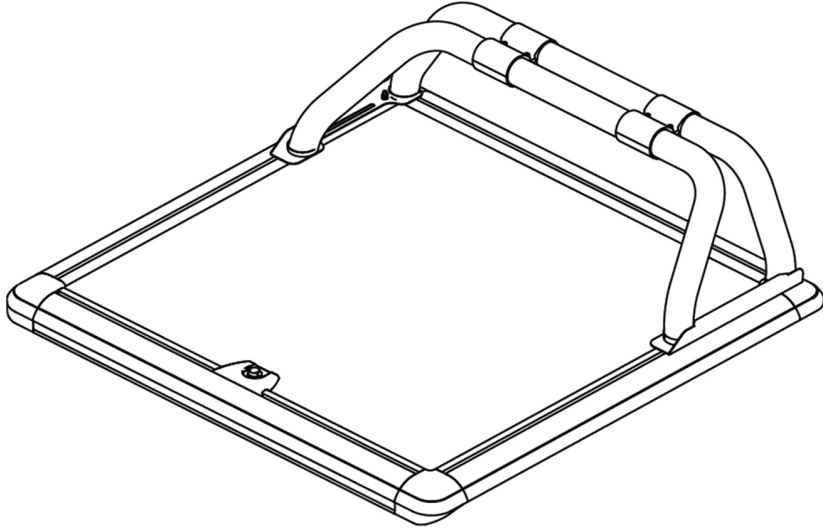
WARNING: fit the N and O front bends as shown in the drawing

ATTENTION: monter les curves anterieures N et O comme indique dans le dessin.

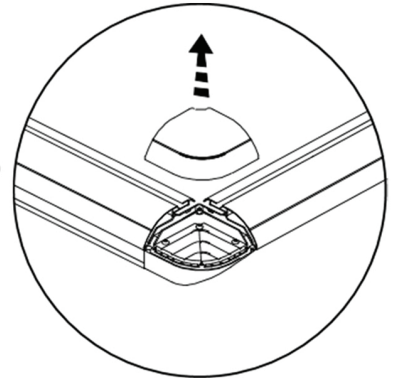
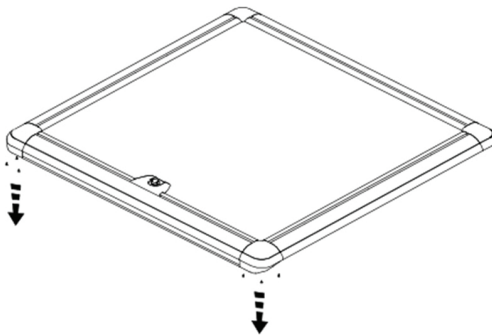
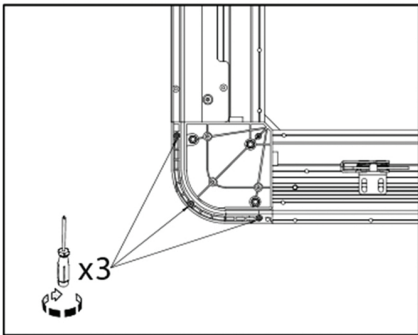
UpStoneEvolve

INSTALLATION INSTRUCTIONS WITH ROLL BAR

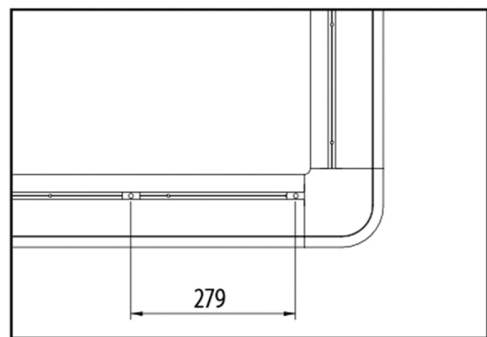
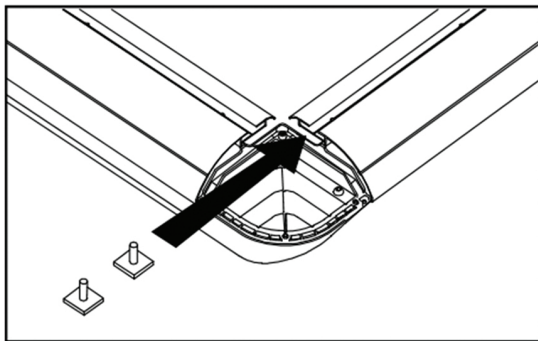
RLB76



- 1** Remove caps by unscrewing the 3 screws in the back corner both left and right.



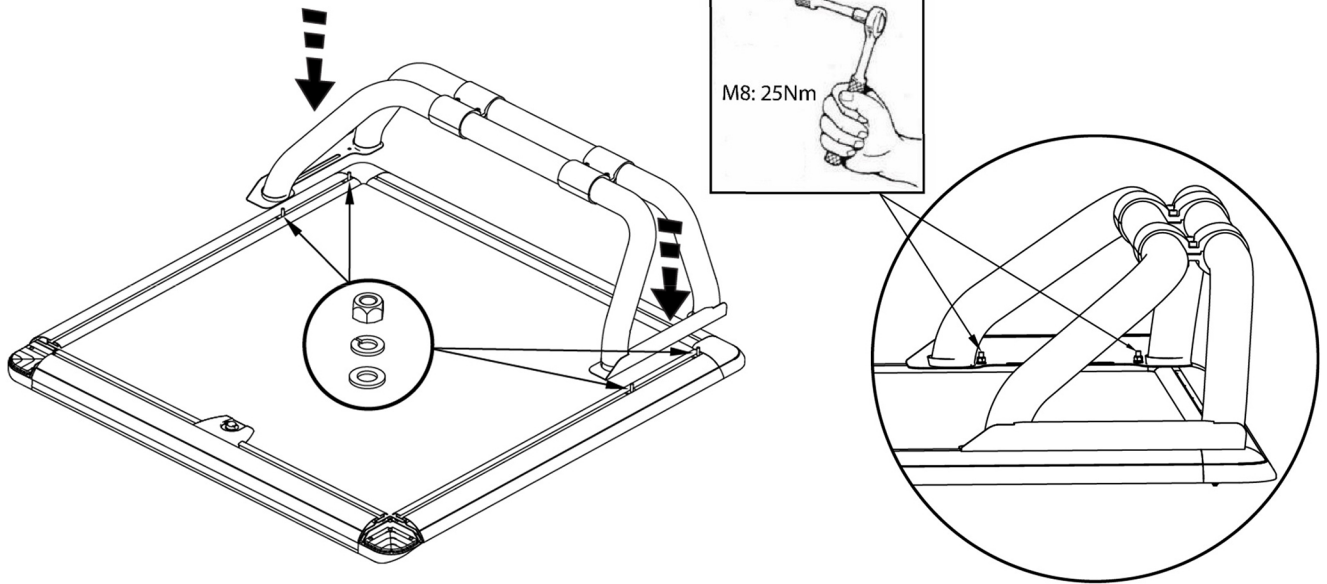
- 2** Insert 2 x Square bolts in both the left and right rails.



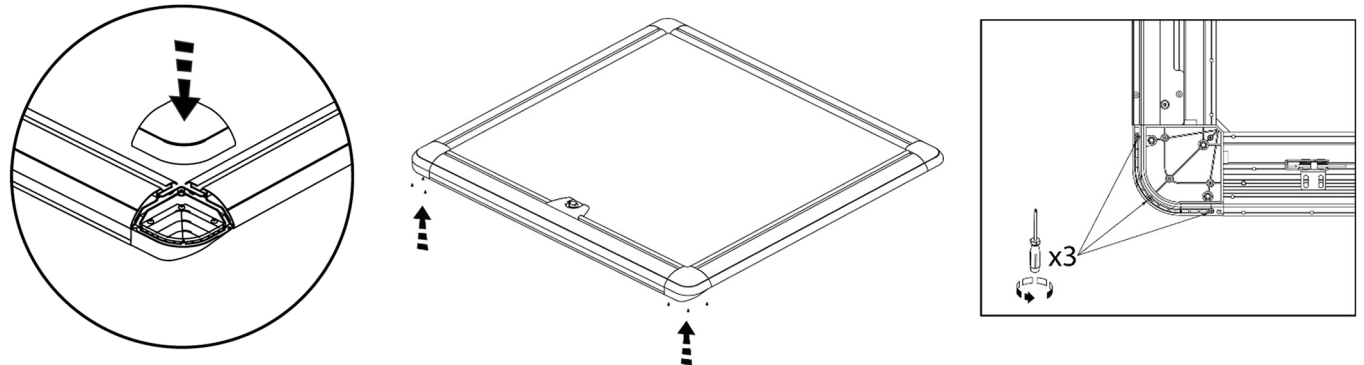
Fitting Kit Number	Product	Revision	Date	Page
RLB76F	Medium SS Bar	1	29.09.2017	1 of 2

3

Place the sport bar onto the cover aligning the holes on the foot plate with the square bolts inserts.
Fix with nut, spring washer and washer.

**4**

Replace the caps on the covers corners



Fitting Kit Number	Product	Revision	Date	Page
RLB76F	Medium SS Bar	1	29.09.2017	2 of 2

UpStoneEvolve

Info@upstone.fr