
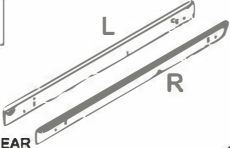
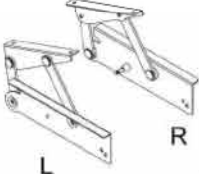







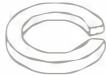



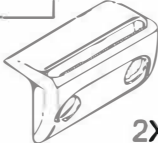




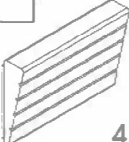


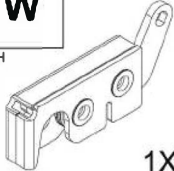
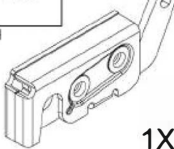


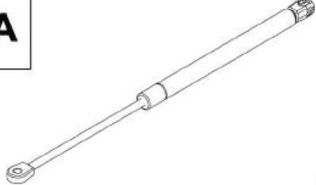



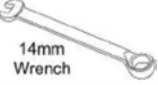



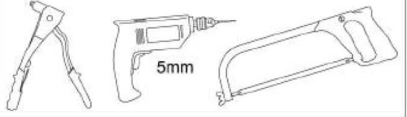


UpStoneEvolve

INSTALLATION INSTRUCTIONS EVO650 (MISTUBISHI)

MITSUBISHI L200 CLUB CAB 2016+ WITH RLB

<p>A</p>  <p>1X</p>	<p>B</p>  <p>1X</p>	<p>C</p>  <p>1X</p>	<p>D</p>  <p>2X</p>		
<p>E</p>  <p>2X</p>	<p>F</p>  <p>4X</p>	<p>G</p>  <p>4X</p>	<p>H</p>  <p>6X</p>	<p>I</p>  <p>2X</p>	<p>J</p>  <p>4X</p>
<p>K</p>  <p>2X</p>	<p>L</p>  <p>2X</p>	<p>M</p>  <p>2X</p>	<p>N</p>  <p>2X</p>	<p>O</p>  <p>2X</p>	<p>P</p>  <p>16X</p>
<p>Q</p>  <p>12X</p>	<p>R</p>  <p>12X</p>	<p>S</p>  <p>4X</p>	<p>T</p>  <p>4X</p>	<p>U</p>  <p>4X</p>	<p>V</p>  <p>8X</p>
<p>W</p>  <p>1X</p>	<p>X</p>  <p>1X</p>	<p>Y</p>  <p>2X</p>	<p>Z</p>  <p>2X</p>	<p>AA</p>  <p>2X</p>	
<p>AB</p>  <p>1X</p>	<p>AC</p>  <p>2X</p>	<p>Note 1: If at any stage of installation you find your sportlid to be an unacceptable fit please contact the manufacturer before continuing.</p> <p>Note 2: If required, use Under Rail Bed Liner only, NOT FOR USE WITH OVER RAIL BED LINER!</p> <p>Tools Required:</p>     			
<p>OPTIONAL</p> 					
<p>Fitting Kit Number KIT650RLBF</p>	<p>Product Upstone Lid</p>	<p>Revision 1</p>	<p>Date 10-09-2013</p>	<p>Page 1 of 7</p>	

1

Remove ladder rack

Note 2: If required, use Proform Under Rail Bed Liner only. Not for use with Over Rail Bed Liner.

Follow guide lines to trim liner in front corners.

2

T 4X

Vehicle Model	α
Mitsubishi L200 club cab 2016+	Do not cut

3

B

T 4X

110mm

70mm

4

B

L

K

H

M

M

L

2X

FINGER TIGHTEN ONLY

5

Place front of side mounting brackets back from inside corners of the cargo box - See table for measurement

-See Table

φ -See Table for hole selection

MAX TORQUE SETTING = 8.5Nm OR 6.3 Ft/Pounds

B 2X

F 2X

H 2X

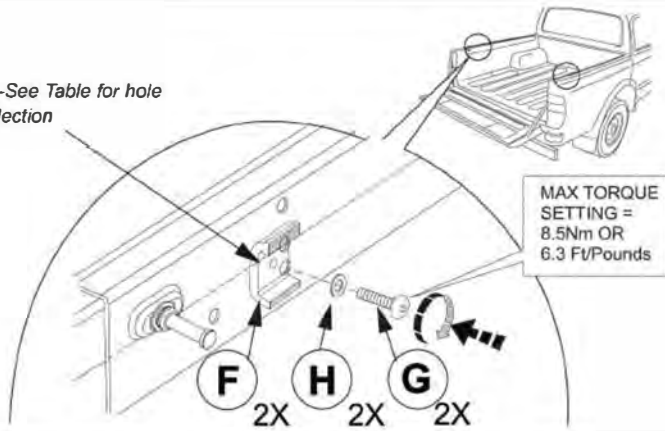
G 2X

Vehicle Model	β	δ	φ
Mitsubishi L200 club cab 2016+	65-75mm	1	3

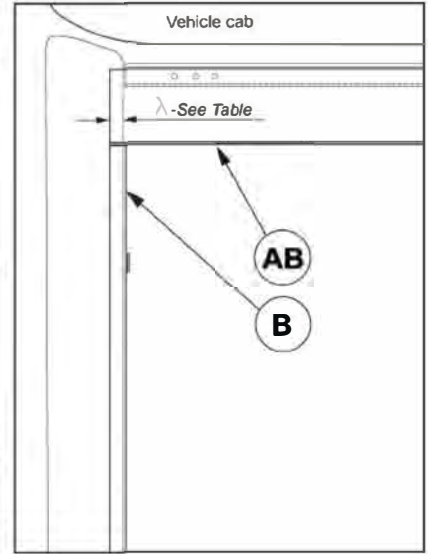
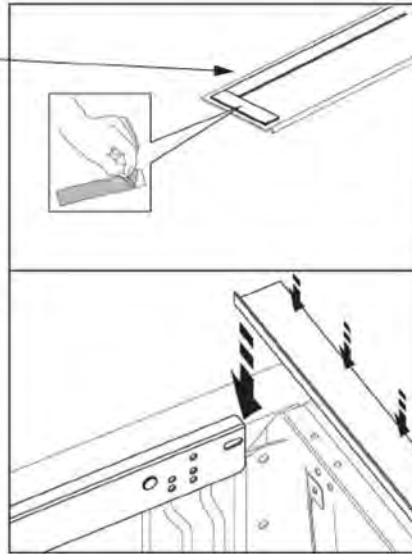
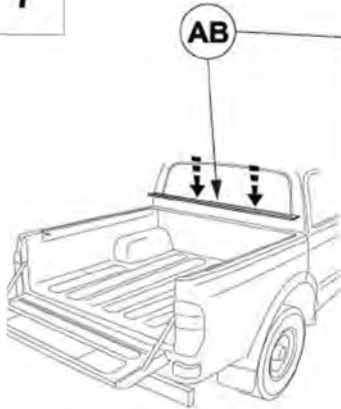
Fitting Kit Number	Product	Revision	Date	Page
KIT650RLBF	Upstone Lid	1	10-09-2013	2 of 7

6

⌀ -See Table for hole selection



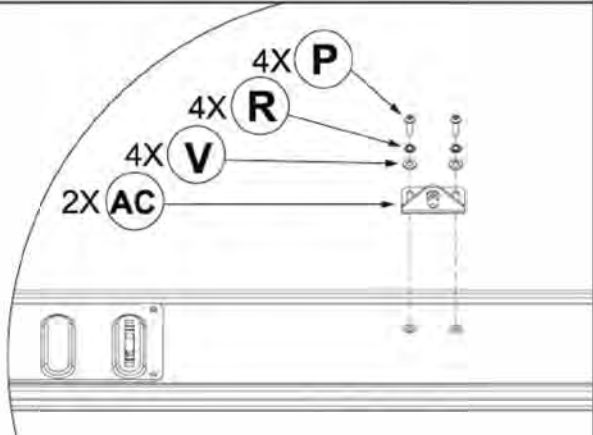
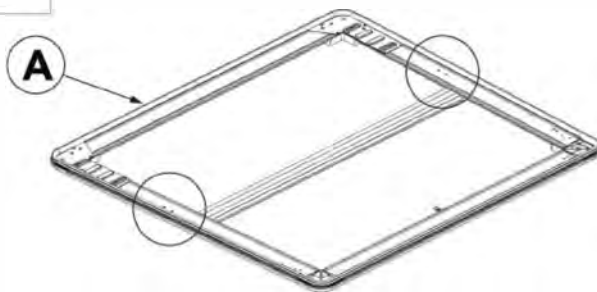
7



Vehicle Model	λ
Mitsubishi L200 club cab 2016+	-

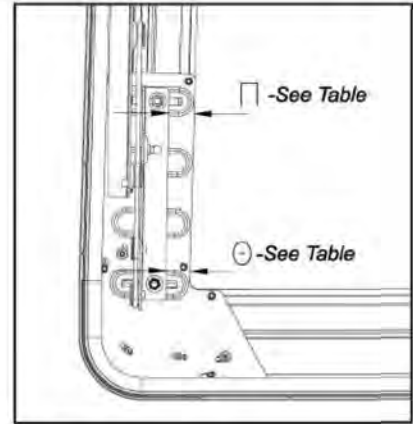
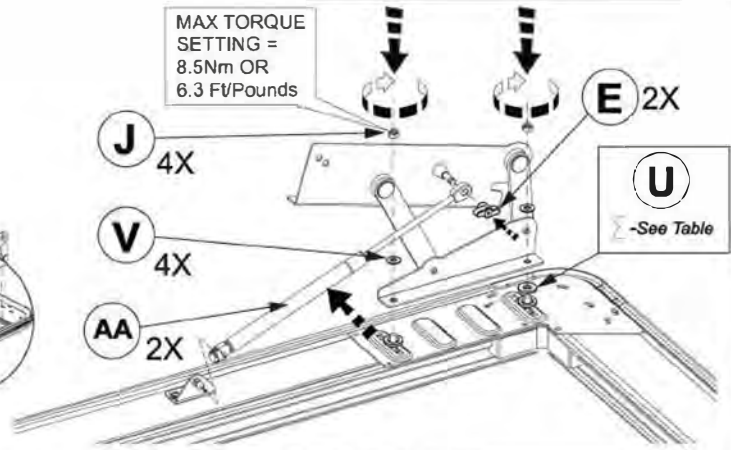
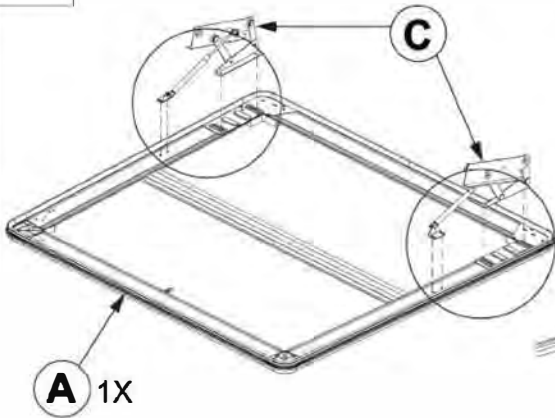
! DO NOT apply below 15°C.
Apply pressure to part. Adhesive is pressure activated.
Allow 3hrs minimum to cure before installing lid

8



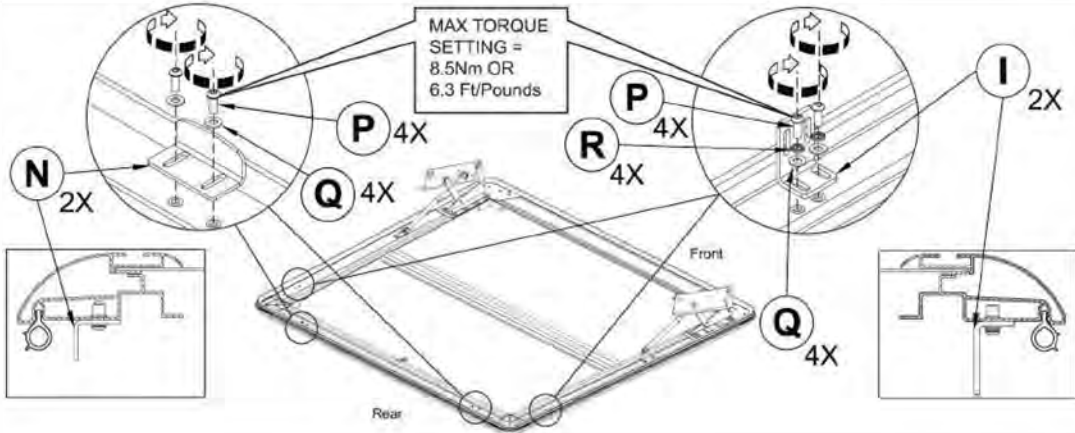
Fitting Kit Number	Product	Revision	Date	Page
KIT650RLBF	Upstone Lid	1	10-09-2013	3 of 7

9

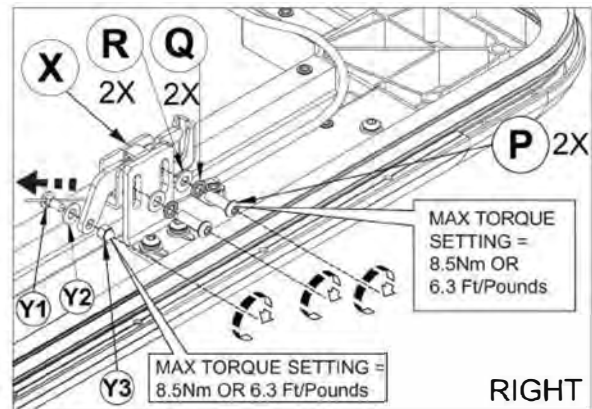
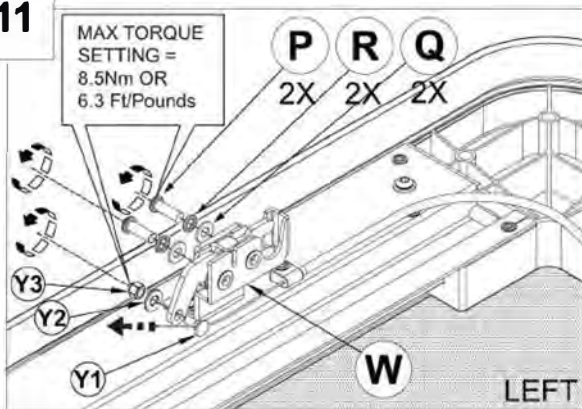


Vehicle Model	□	⊖	Σ
Mitsubishi L200 club cab 2016+	25 mm	25 mm	-

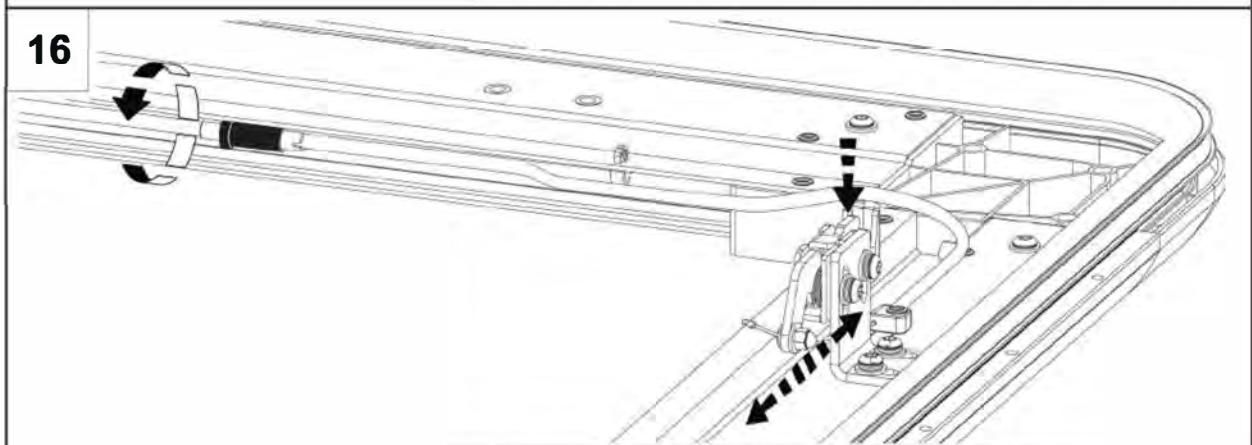
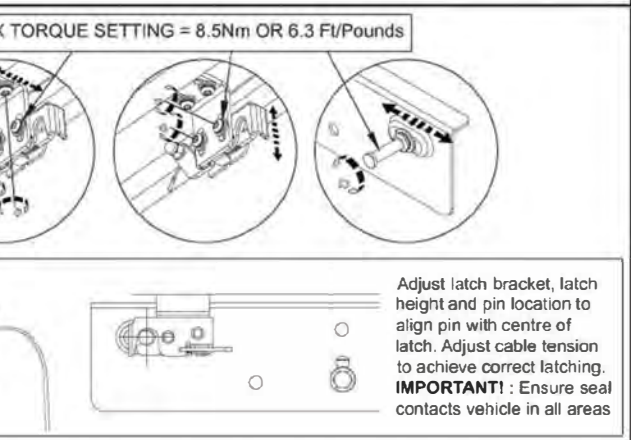
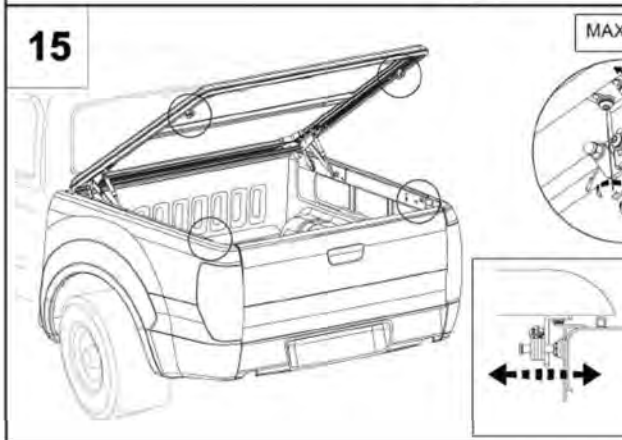
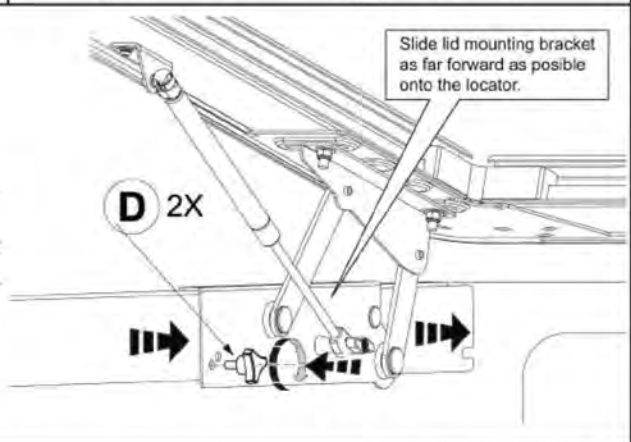
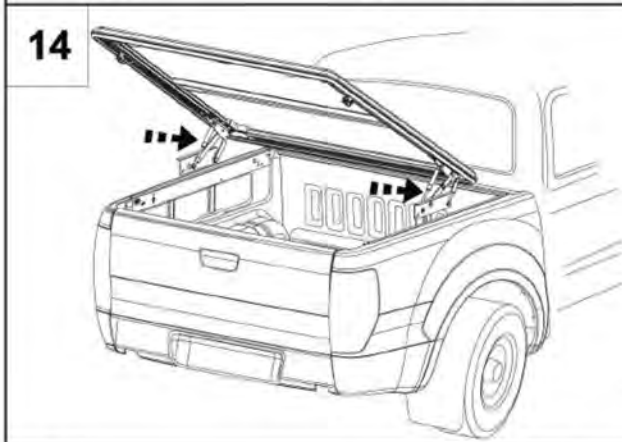
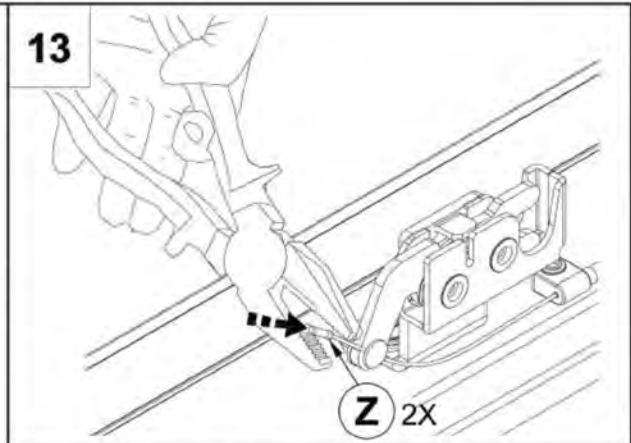
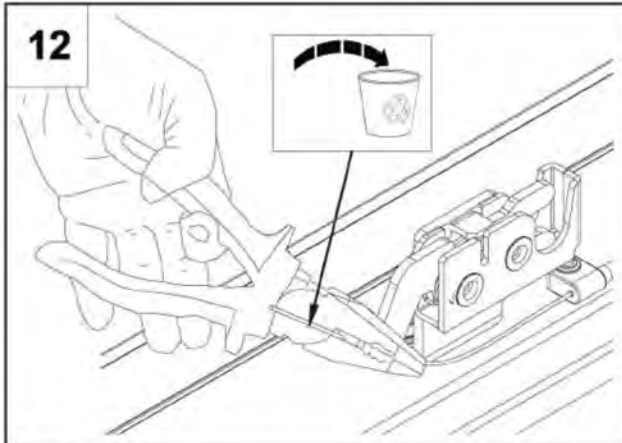
10



11

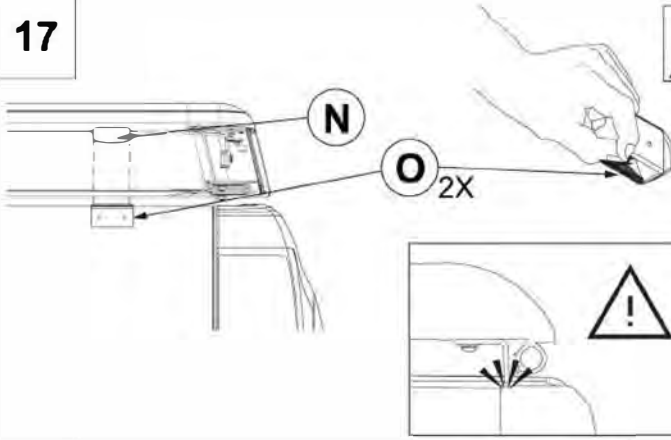


Fitting Kit Number	Product	Revision	Date	Page
KIT650RLBF	Upstone Lid	1	10-09-2013	4 of 7

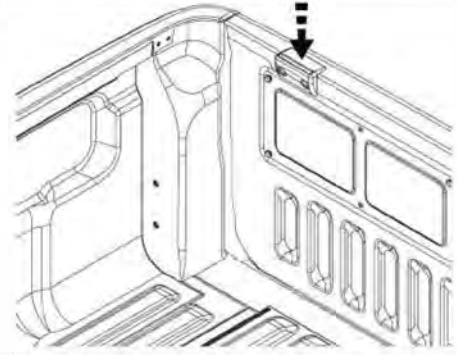


Fitting Kit Number	Product	Revision	Date	Page
KIT650RLBF	Upstone Lid	1	10-09-2013	5 of 7

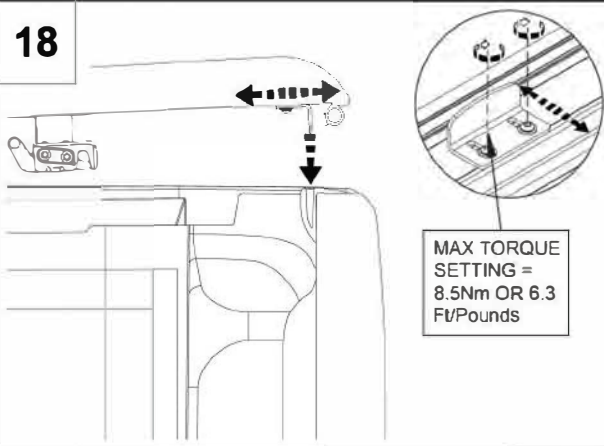
17



DO NOT apply below 15°C.
Apply pressure to part. Adhesive is pressure activated.
Allow 3hrs minimum to cure.



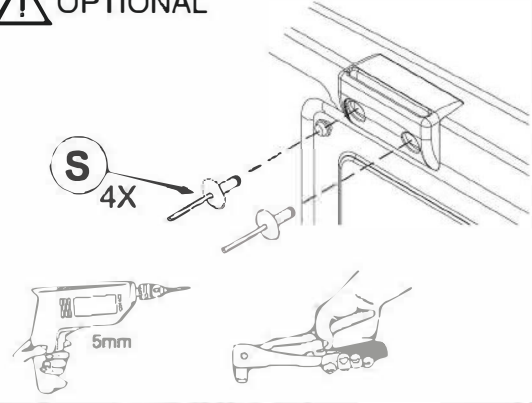
18



MAX TORQUE
SETTING =
8.5Nm OR 6.3
Ft/Pounds

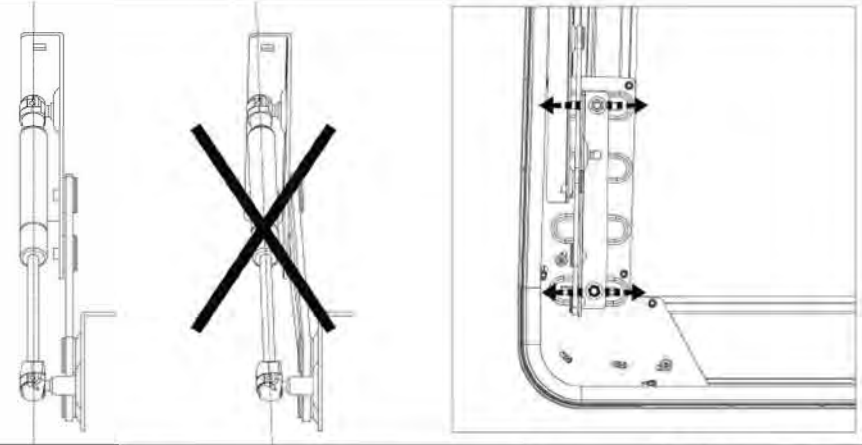
19

OPTIONAL

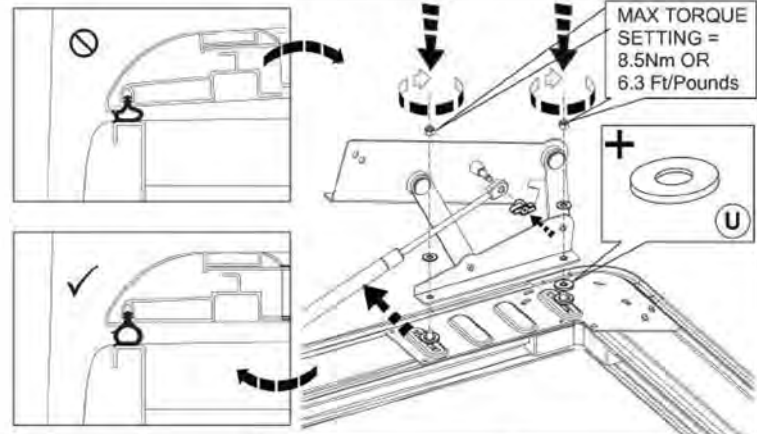
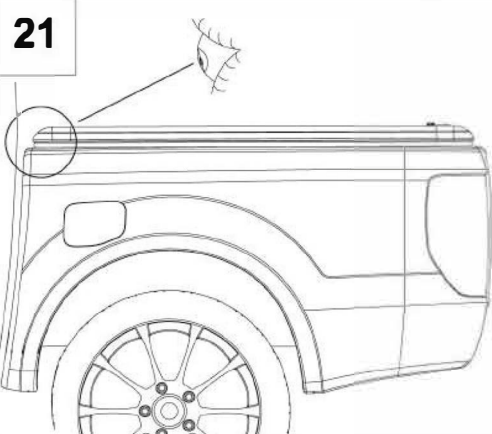


20

! Insure hinge is not twisted.
Adjust connection
to lid if nessessary.

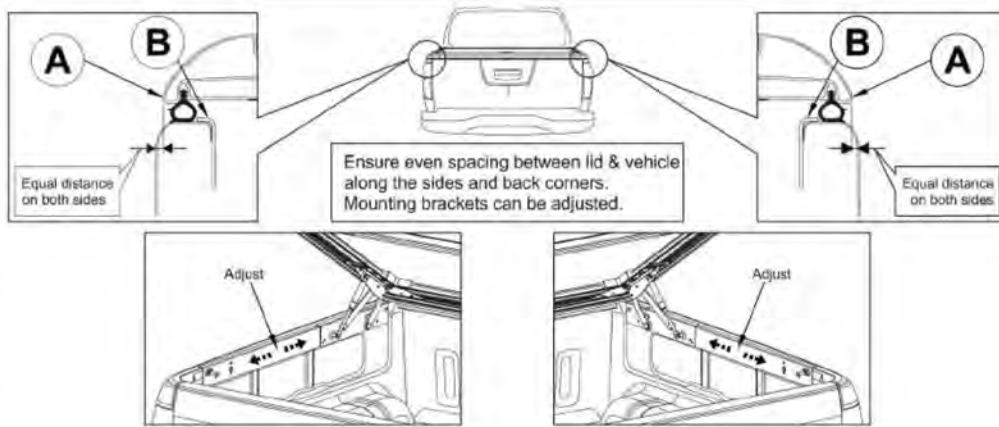


21



MAX TORQUE
SETTING =
8.5Nm OR
6.3 Ft/Pounds

Fitting Kit Number	Product	Revision	Date	Page
KIT650RLBF	Upstone Lid	1	10-09-2013	6 of 7



After installation carefully and thoroughly clean all debris from the inside of the cargo box.
Retain these instructions for future reference



CAUTION!

- NEVER allow people or animals under the closed cover
- Do not place unsealed solvents or chemicals under the cover
- Do not stand or place heavy objects on the cover
- Do not open lid when under load.
- Close the cover before operating the vehicle
- Do not allow oil, solvents or chemicals to contact the cover
- Clean only with a mild detergent and water solution

Fitting Kit Number	Product	Revision	Date	Page
KIT650RLBF	Upstone Lid	1	10-09-2013	7 of 7

MITSUBISHI L200 2016+ double & club cab



Item Code

Codice Articolo

Référence Article

EVRLB76L
:
EVRLB76LX

GB

STAINLESS STEEL
MEDIUM BAR












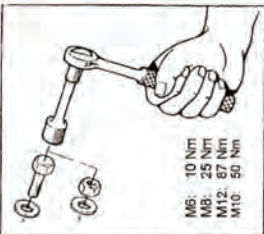
FR

MEDIUM BAR
EN ACCIER INOX

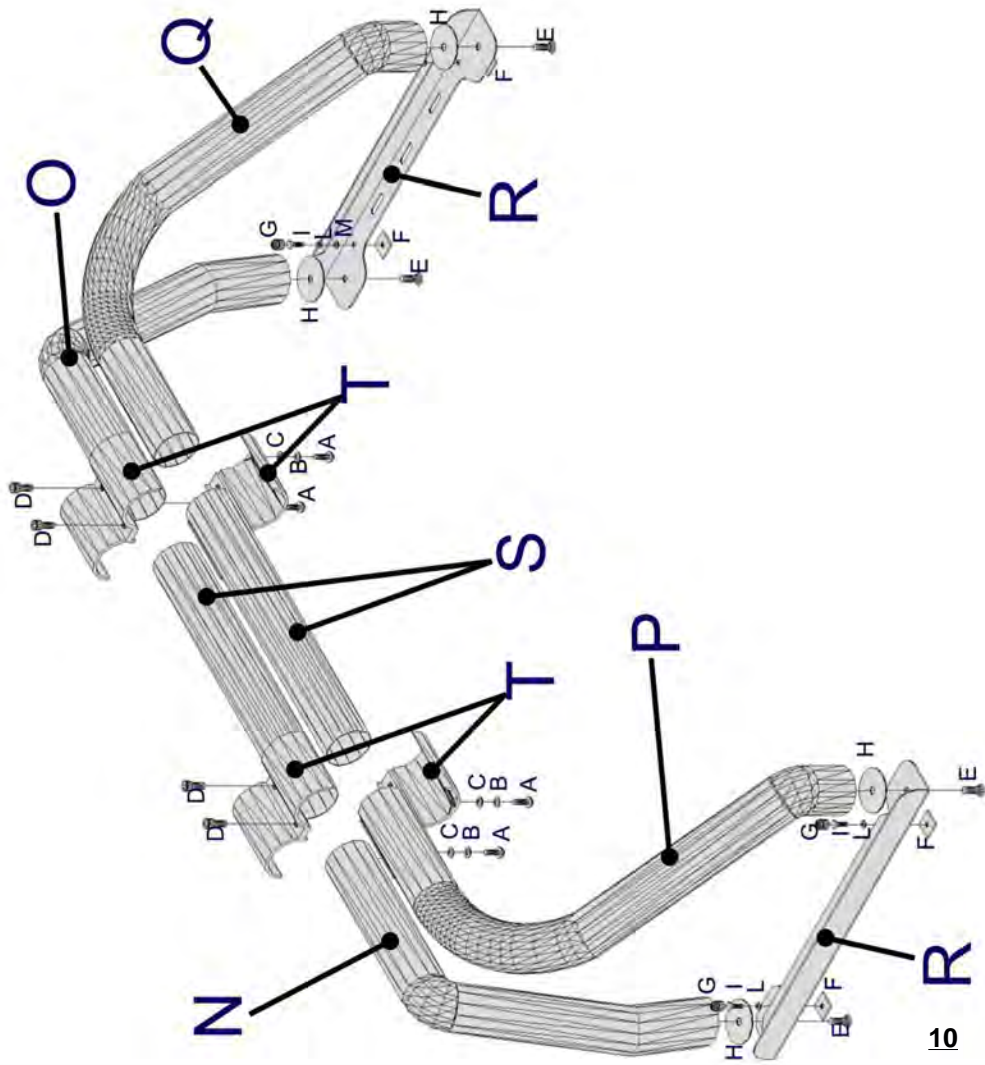
mitsubishi L200 2016+ Double & Club cab

Part List

Liste des pièces

A	 TBCEI 8X25 x 4	B	 Ø 8 x 4	C	 Ø 8 x 4	D	 TCEI 10X25 x 4	E	 TSPEI M10X25 x 4
F	 M6 x 4	G	 Cappelletti M 6 x 4	H	 VIPLA Ø 80 x 4	I	 TE 6X15 x 4	L	 BIG Ø 6 GRAND x 4
M	 Ø 6 x 4	N	AS7/SX x1	O	AS7/DX x1	P	PS7/SX x1	Q	PS7/DX x1
R	RLS/7TR x2	S	RLB/06 x2	T	RLB Ø76 x2	 <p>M6: 10 Nm M8: 25 Nm M10: 50 Nm</p>			

MITSUBISHI L200 2016+ Double & Club cab



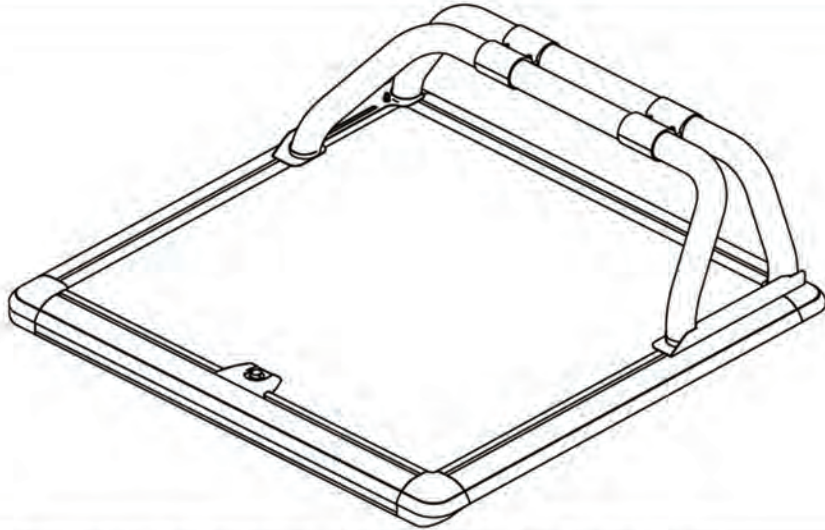
WARNING: fit the N and O front bends as shown in the drawing

ATTENTION: monter les curves anterieures N et O comme indique dans le dessin.

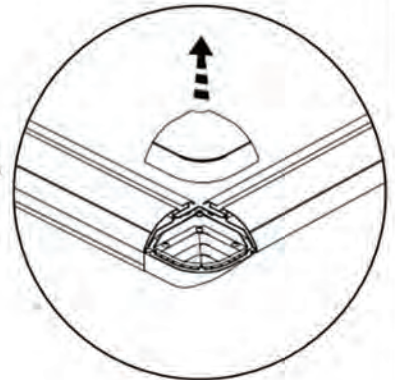
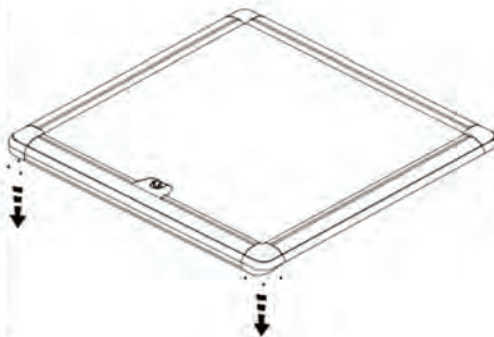
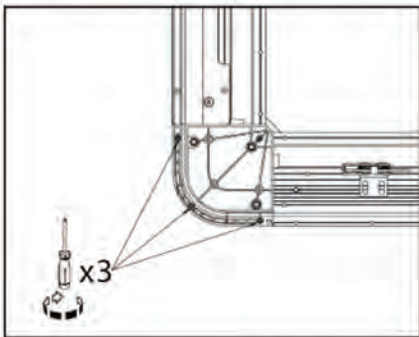
UpStoneEvolve

INSTALLATION INSTRUCTIONS WITH ROLL BAR

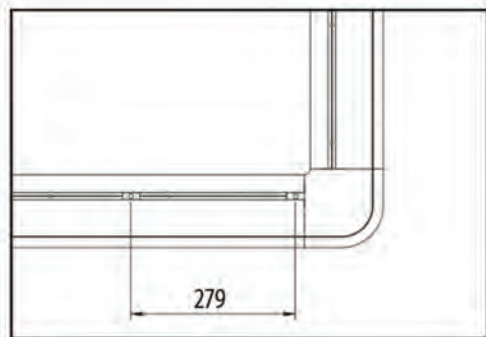
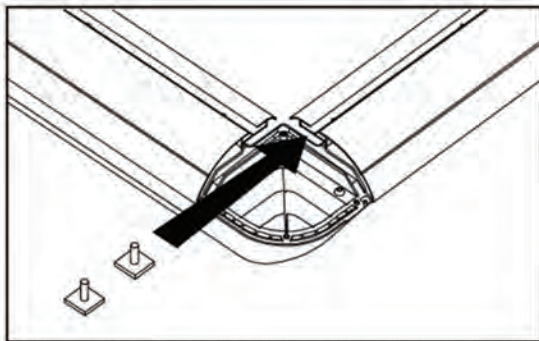
RLB76



- 1** Remove caps by unscrewing the 3 screws in the back corner both left and right.



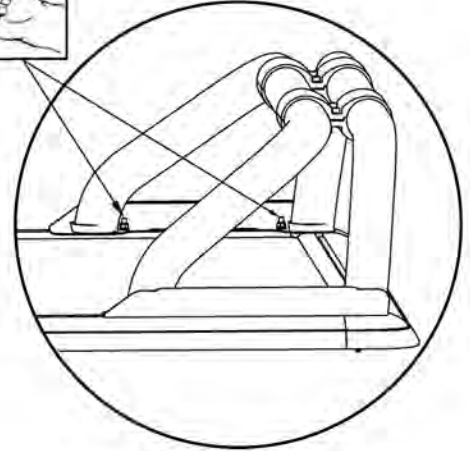
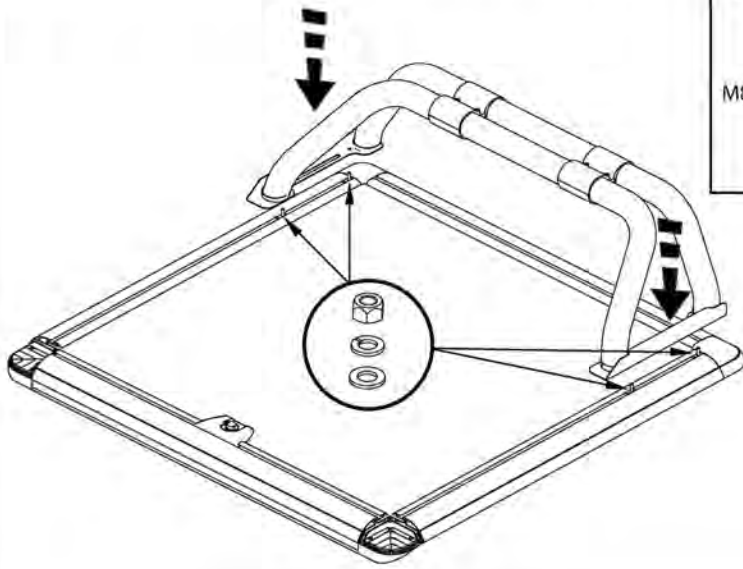
- 2** Insert 2 x Square bolts in both the left and right rails.



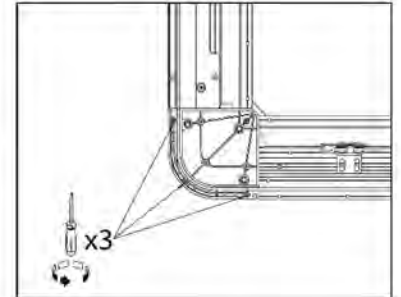
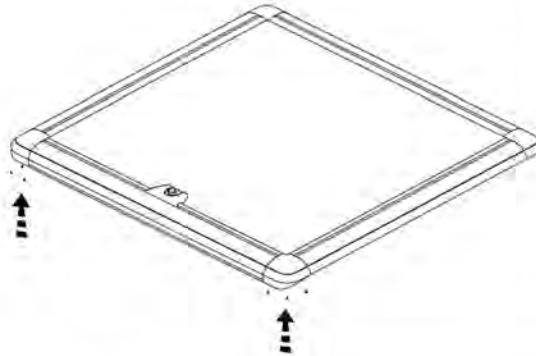
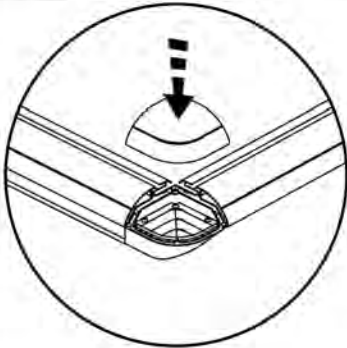
Fitting Kit Number	Product	Revision	Date	Page
RLB76F	Medium SS Bar	1	29.09.2017	1 of 2

3

Place the sport bar onto the cover aligning the holes on the foot plate with the square bolts inserts.
Fix with nut, spring washer and washer.

**4**

Replace the caps on the covers corners



Fitting Kit Number	Product	Revision	Date	Page
RLB76F	Medium SS Bar	1	29.09.2017	2 of 2

UpStoneEvolve

Info@upstone.fr