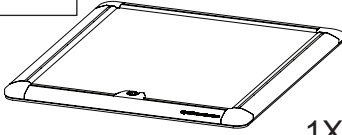
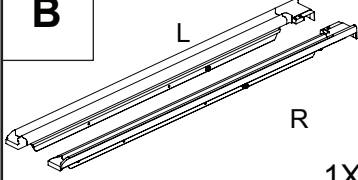
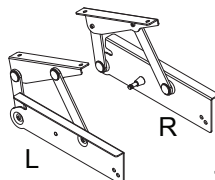
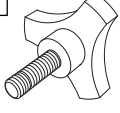


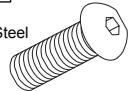
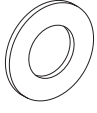
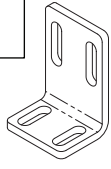


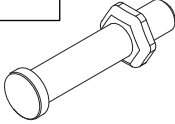

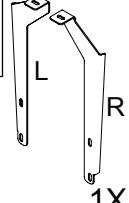
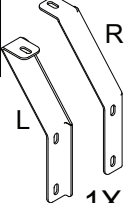
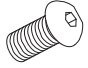

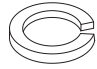
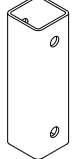
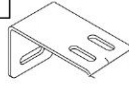

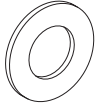
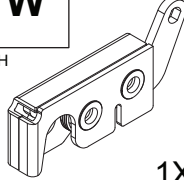
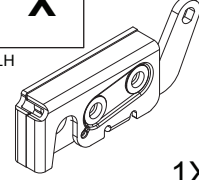
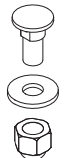

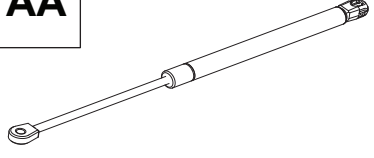
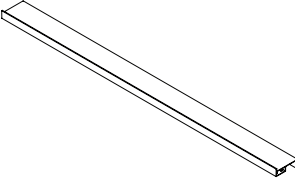
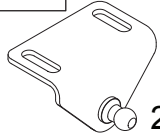
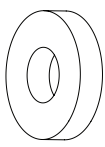


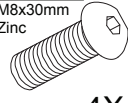
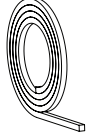
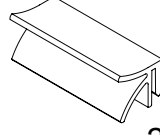
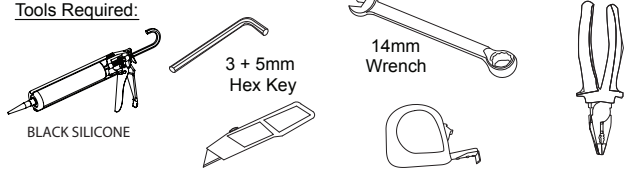


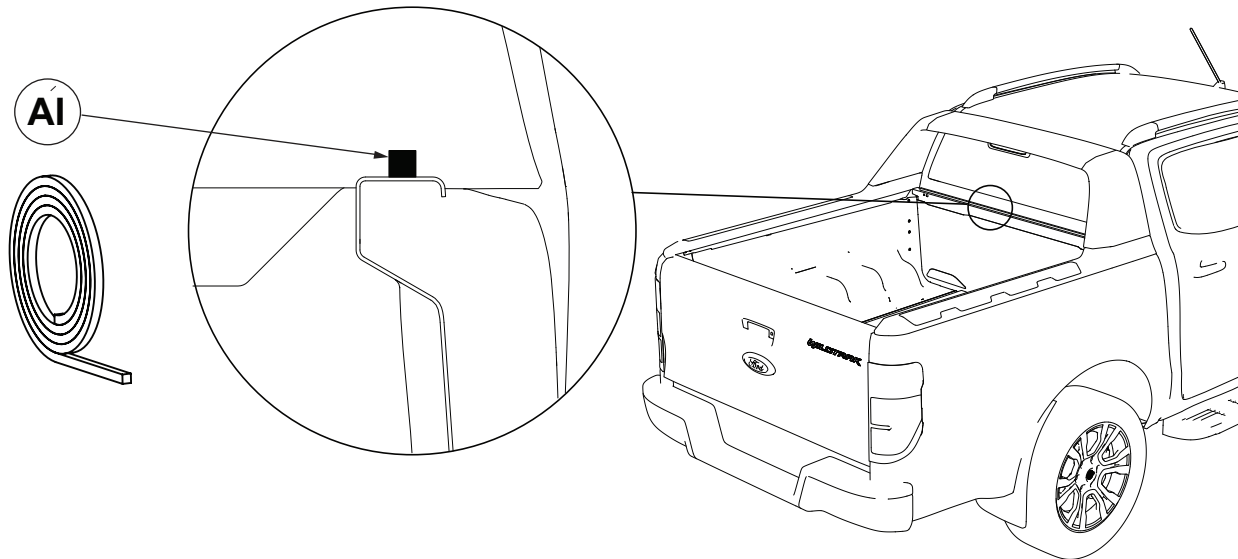
# UpStoneEvolve

## SAILPLANE LID INSTALLATION MANUAL FORD WILDTRAK DC 2016+ EVOS900-EVOS950

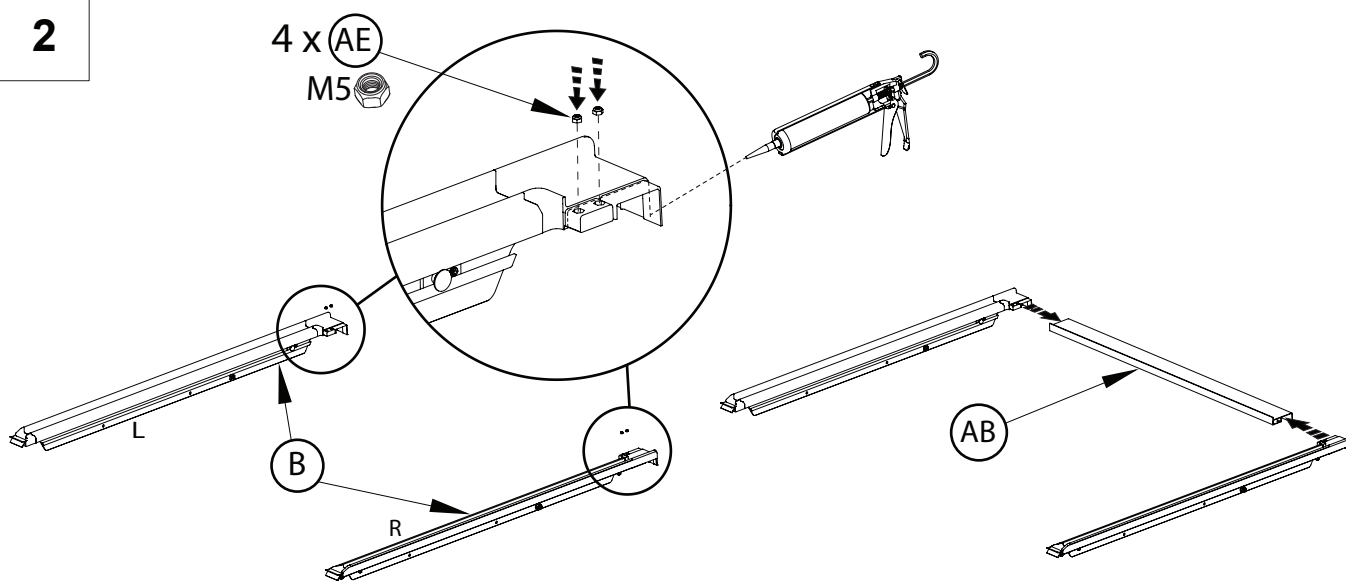
<b>A</b>  1X	<b>B</b>  L R 1X	<b>C</b>  L R 1X	<b>D</b>  2X		
<b>E</b>  2X	<b>F</b>  4X	<b>G</b> M8x20mm Stainless Steel  4X	<b>H</b> M8 x16 Stainless Steel  8X	<b>I</b>  2X	<b>J</b> M8 Nylock Stainless Steel  4X
<b>K</b> M8 Stainless Steel Spring Washer  2X	<b>L</b>  2X	<b>M</b>  2X	<b>N</b>  L R 1X	<b>O</b>  L R 1X	<b>P</b> M6x18  12X
<b>Q</b> M6x13mm Zinc  12X	<b>R</b> M6x10mm  8X	<b>S</b>  2X	<b>T</b>  4X	<b>U</b> M8 Nylock Zinc  X8	<b>V</b> M8 x16 Zinc Washer  4X
<b>W</b> RH  1X	<b>X</b> LH  1X	<b>Y</b> M5 Cable Bolt, Washer & Dome Nut  2X	<b>Z</b>  2X	<b>AA</b>  2X	
<b>AB</b>  1X	<b>AC</b>  2X	<b>AD</b> M8 SS SPACER  2X	<b>AE</b> M5 Nylock Zinc  4X	<b>AF</b> M5x18 Zinc  4X	<b>AG</b> M8x30mm Zinc  4X
<b>AH</b>	<b>AI</b> 10x10mm 	<b>AJ</b>  2X	<p>Note: If at any stage of installation you find your Aluminium Tonneau Cover to be an unacceptable fit please contact the manufacturer before continuing.</p> <p>Tools Required:</p>  <p>BLACK SILICONE 3 + 5mm Hex Key 14mm Wrench</p>		

Fitting Kit Number	Product	Revision	Date	Page
KIT900-1RLBF KIT900-2RLBF	UpStone Sailplane Lid	1	18-06-2018	1 of 8

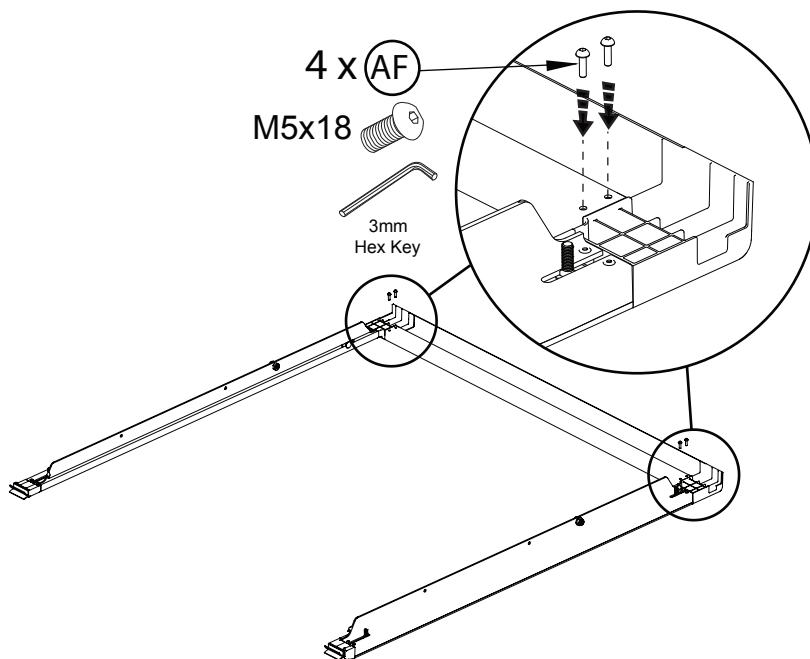
1



2

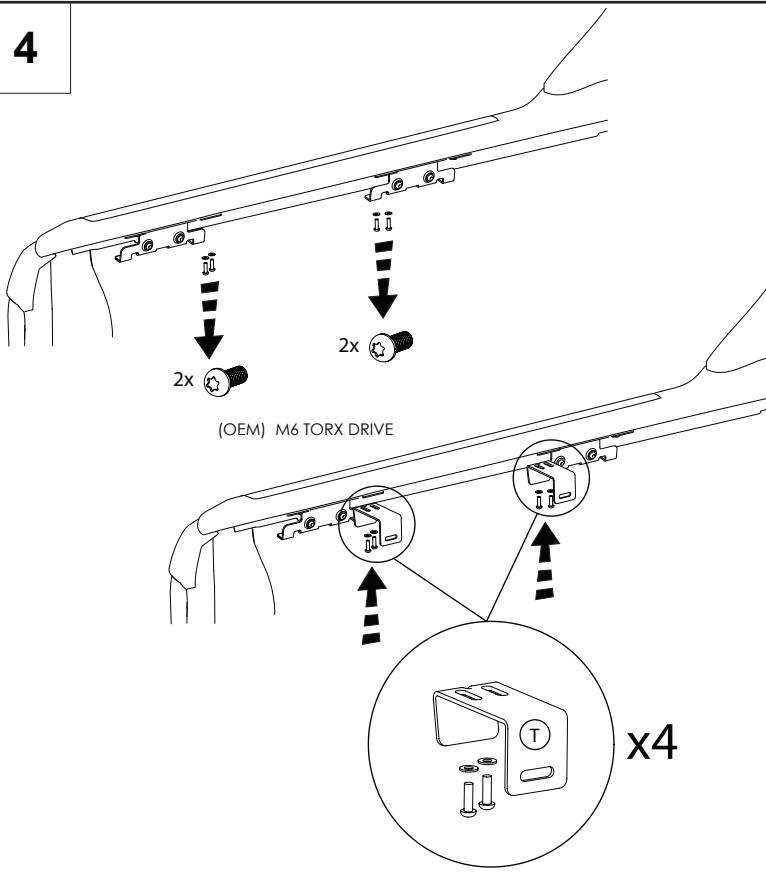


3

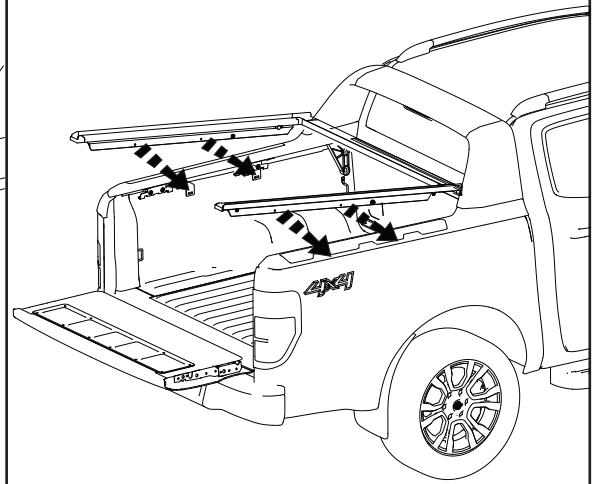


Fitting Kit Number	Product	Revision	Date	Page
KIT900-1RLBF KIT900-2RLBF	UpStone Sailplane Lid	1	18-06-2018	2 of 8

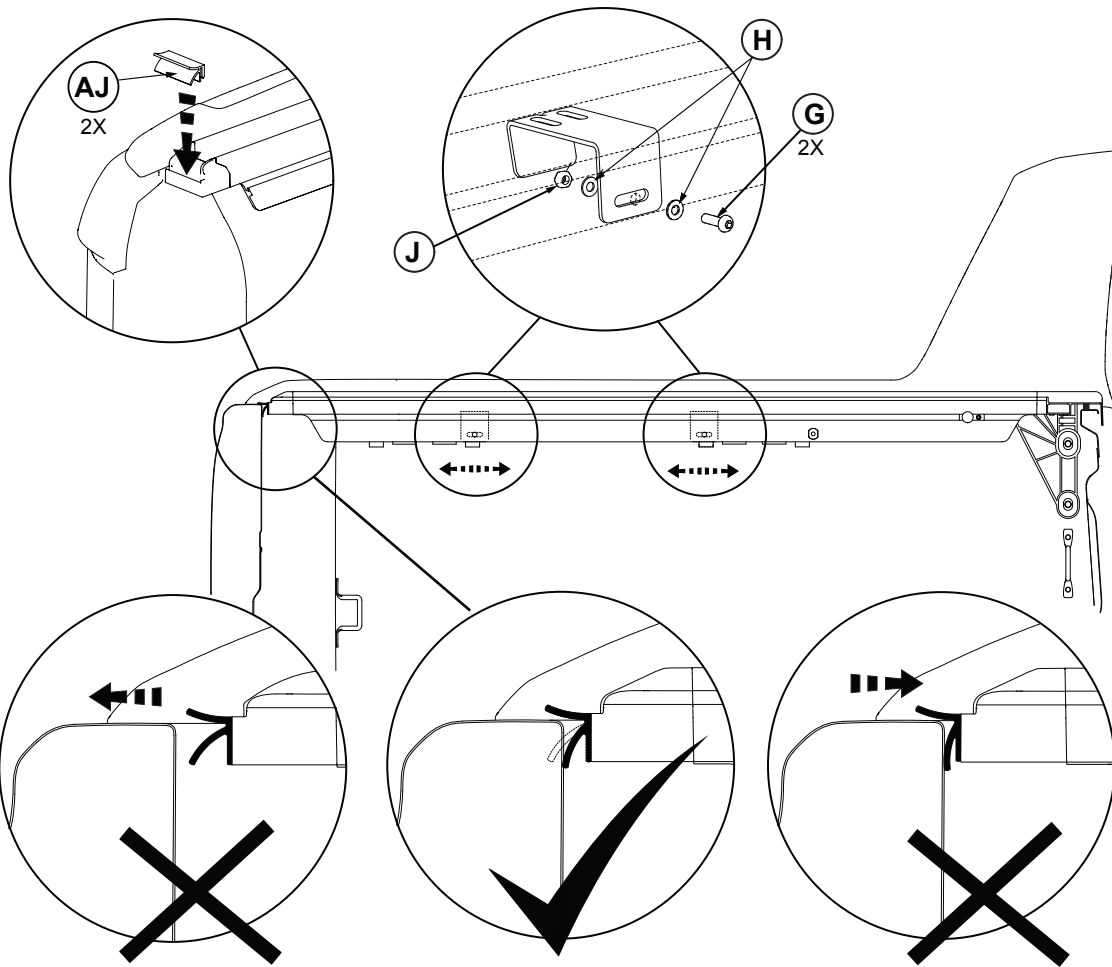
4



5

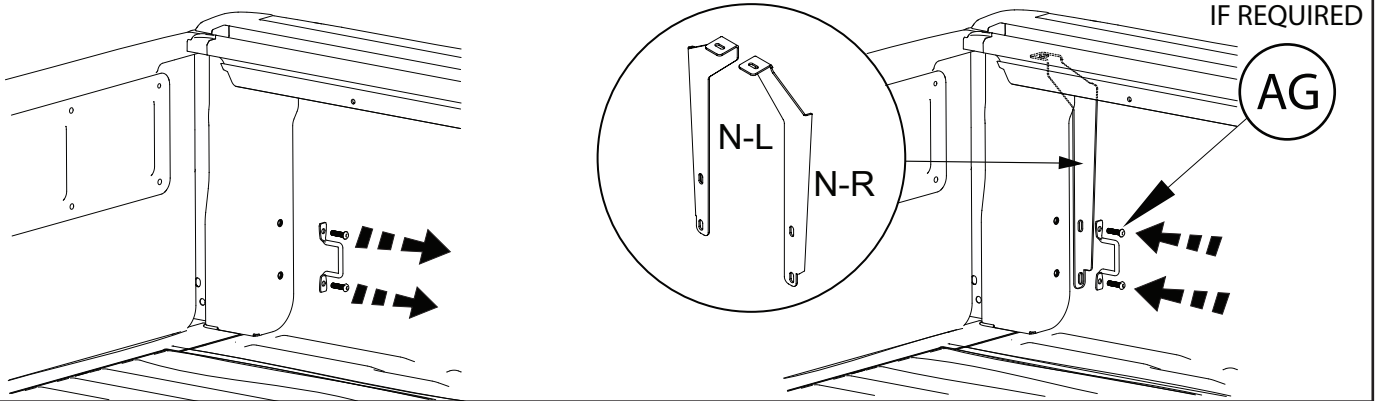


6

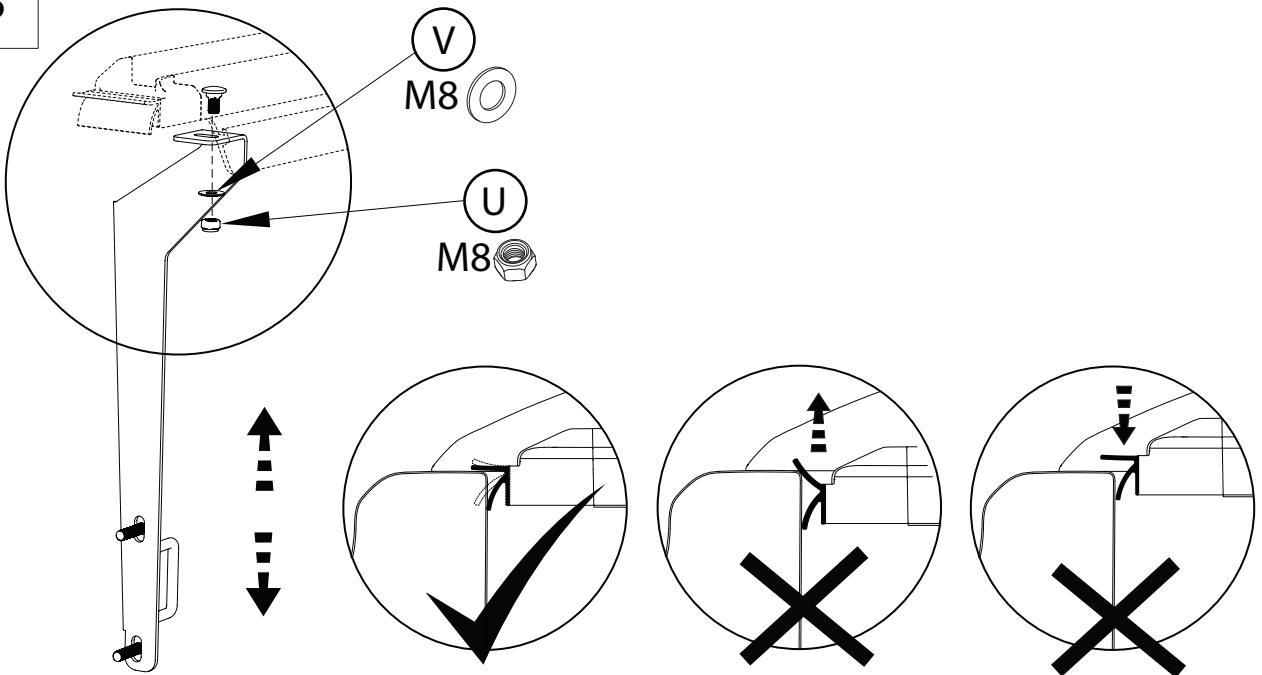


Fitting Kit Number	Product	Revision	Date	Page
KIT900-1RLBF KIT900-2RLBF	UpStone Sailplane Lid	1	18-06-2018	3 of 8

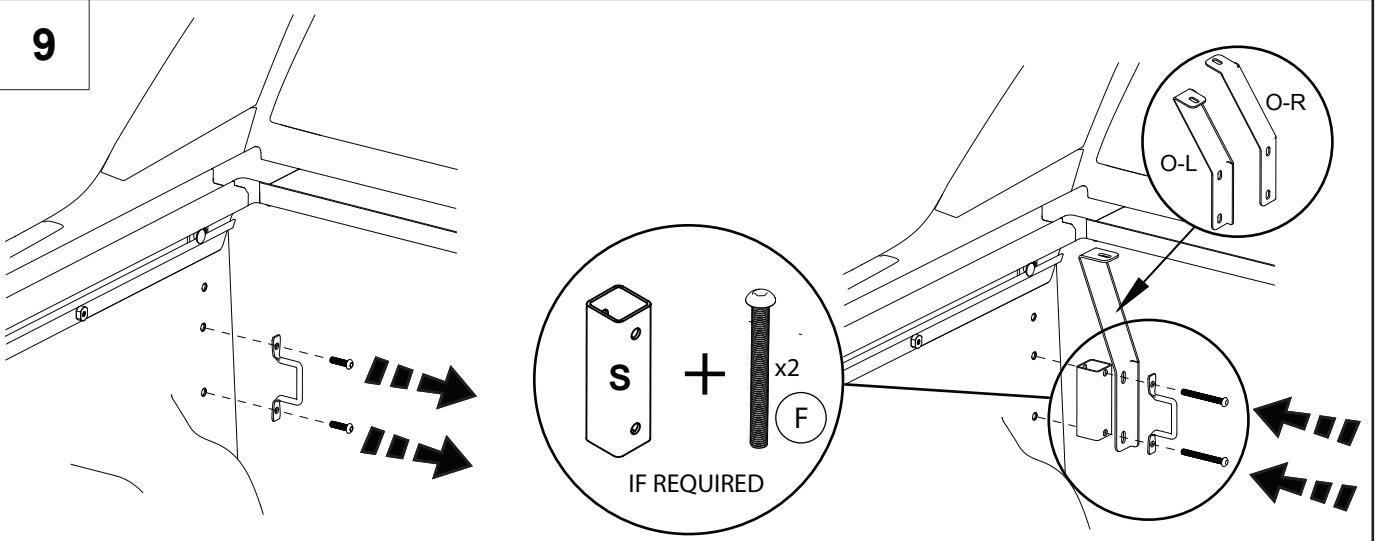
7



8

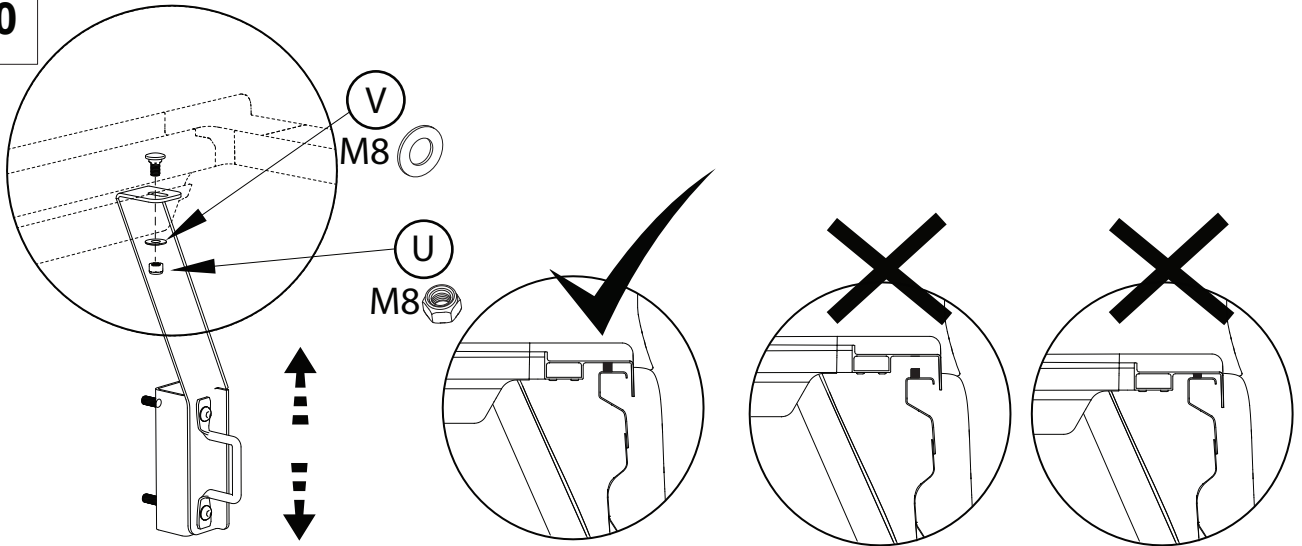


9

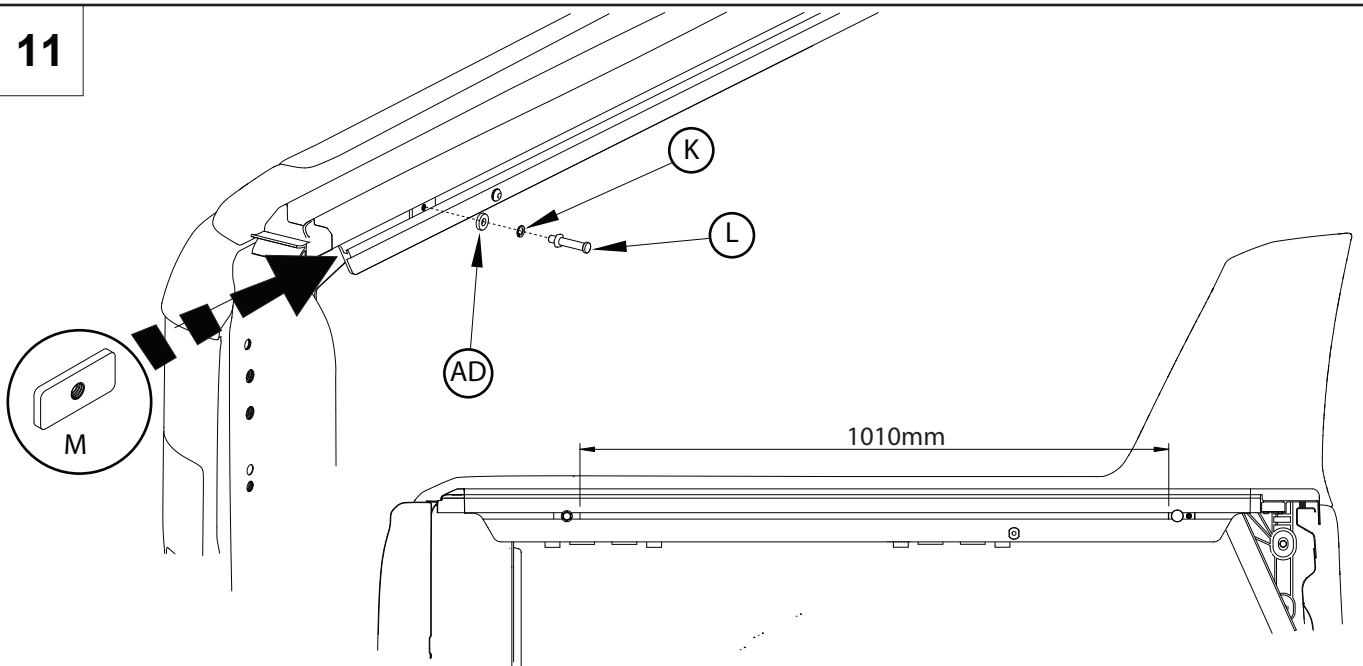


Fitting Kit Number	Product	Revision	Date	Page
KIT900-1RLBF KIT900-2RLBF	UpStone Sailplane Lid	1	18-06-2018	4 of 8

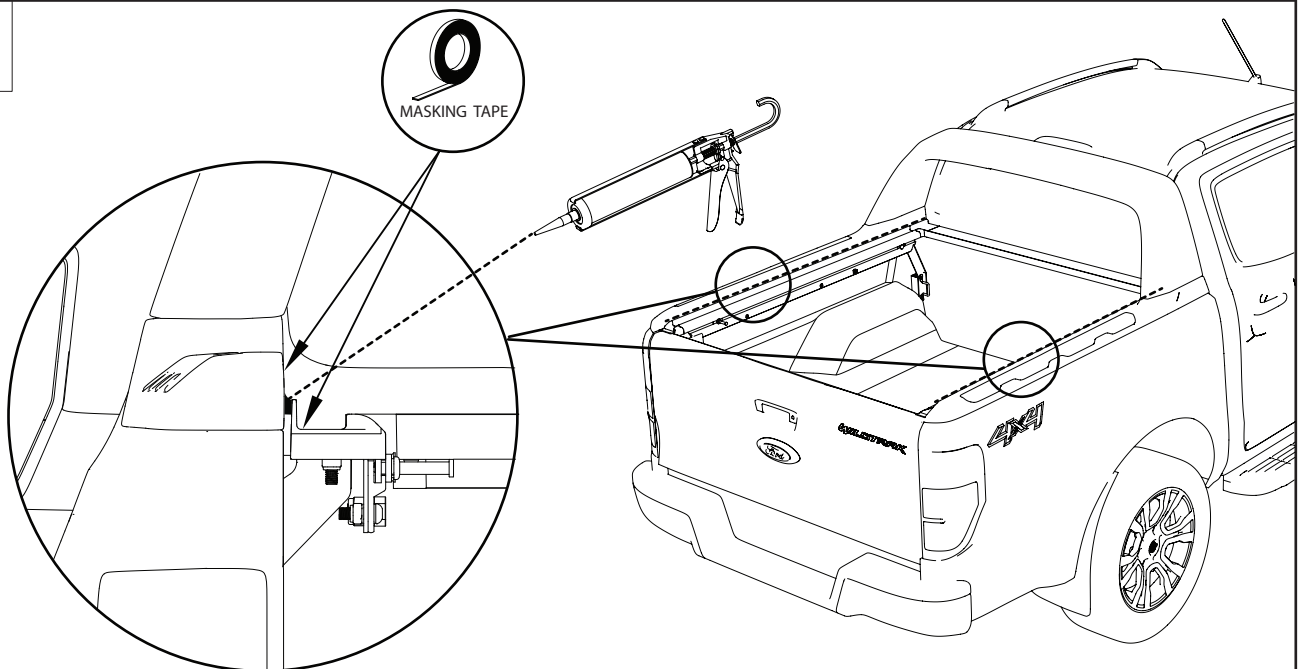
10



11

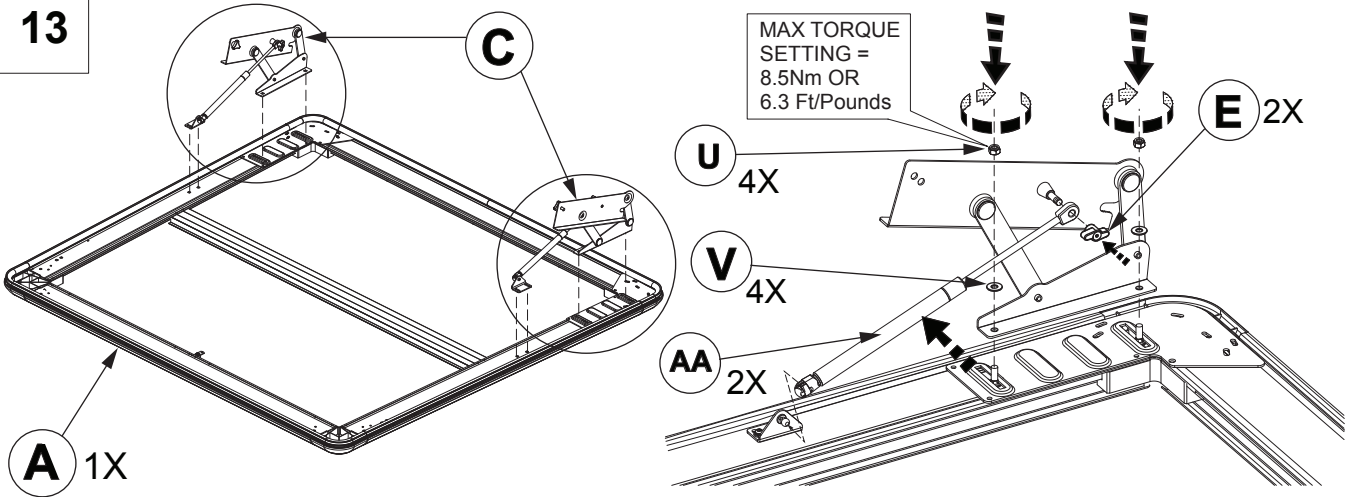


12

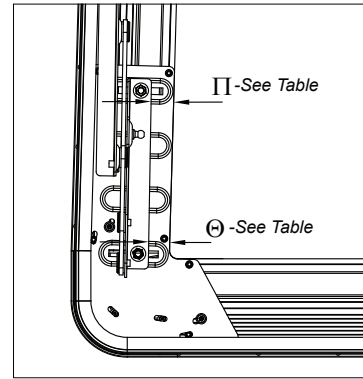


Fitting Kit Number	Product	Revision	Date	Page
KIT900-1RLBF KIT900-2RLBF	UpStone Sailplane Lid	1	18-06-2018	5 of 8

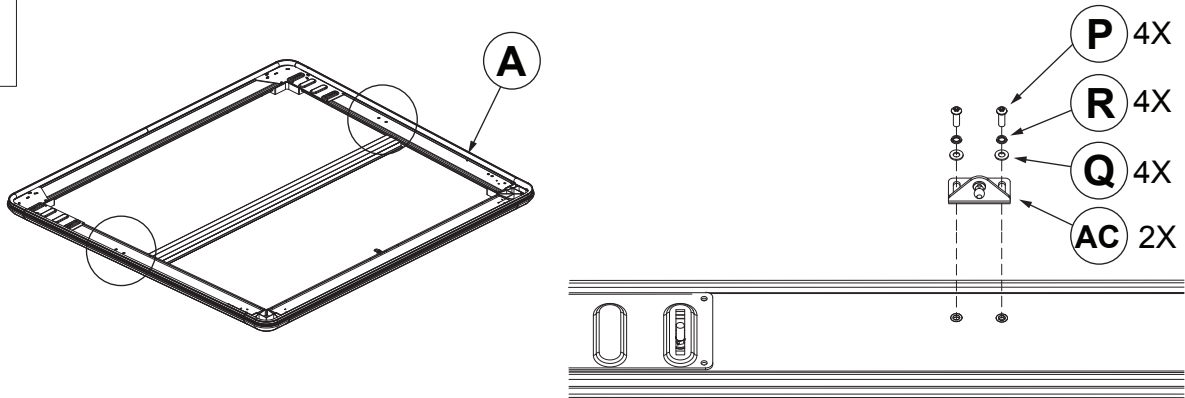
13



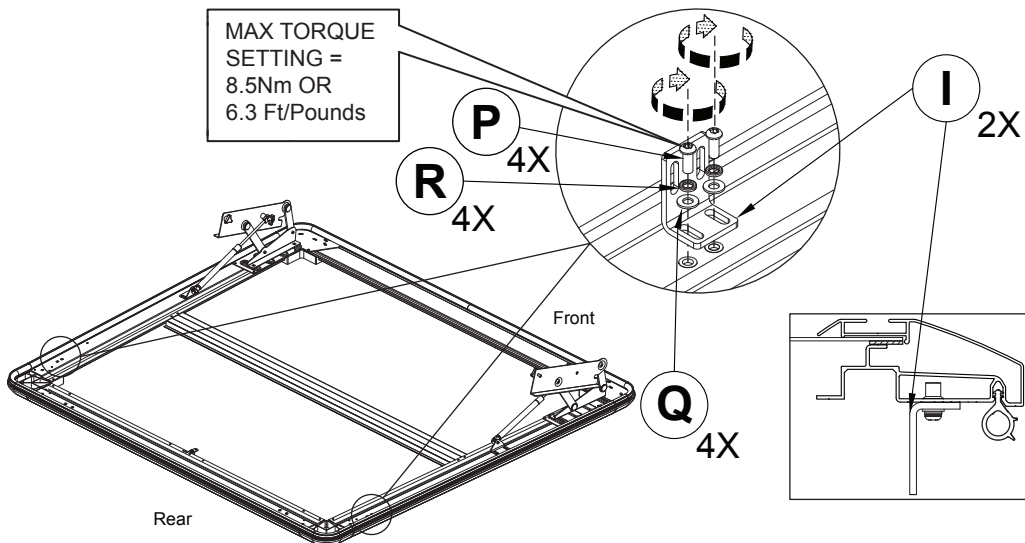
Vehicle Model	Π	Θ
	mm	mm
Ford Ranger Wildtrak DC 2011+	25.5	25.5



14



15

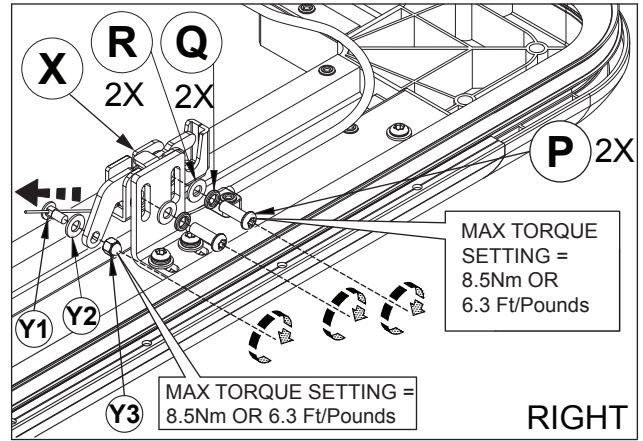
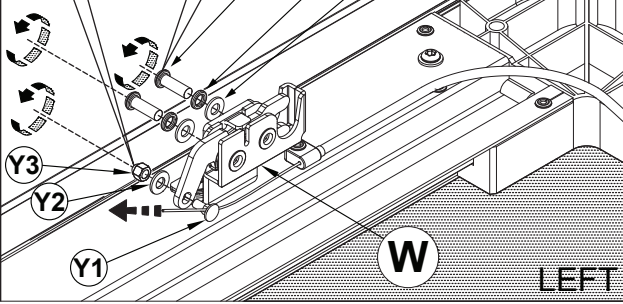


Fitting Kit Number	Product	Revision	Date	Page
KIT900-1RLBF KIT900-2RLBF	UpStone Sailplane Lid	1	18-06-2018	6 of 8

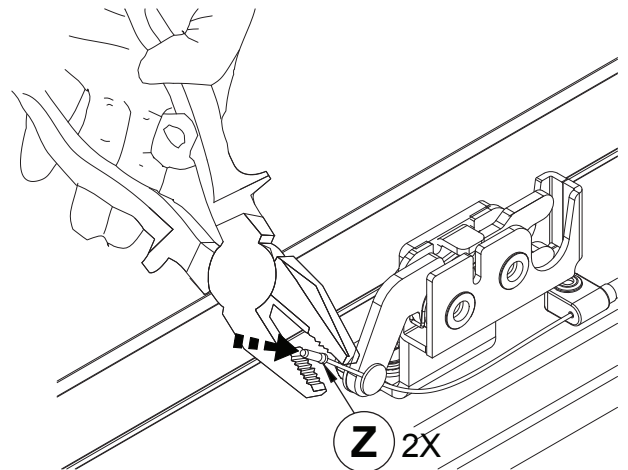
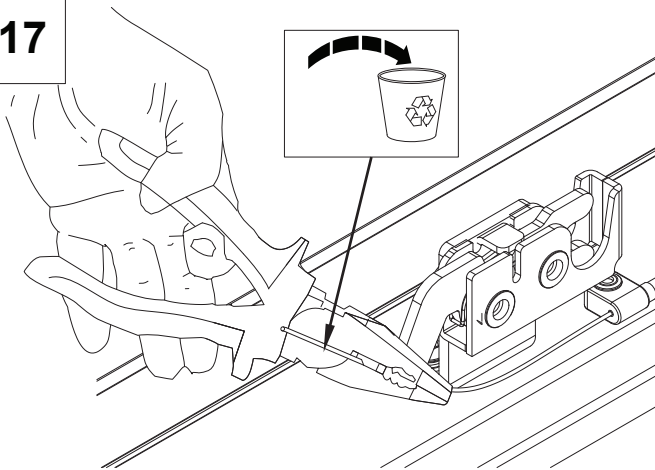
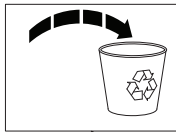
16

MAX TORQUE SETTING =  
8.5Nm OR  
6.3 Ft/Pounds

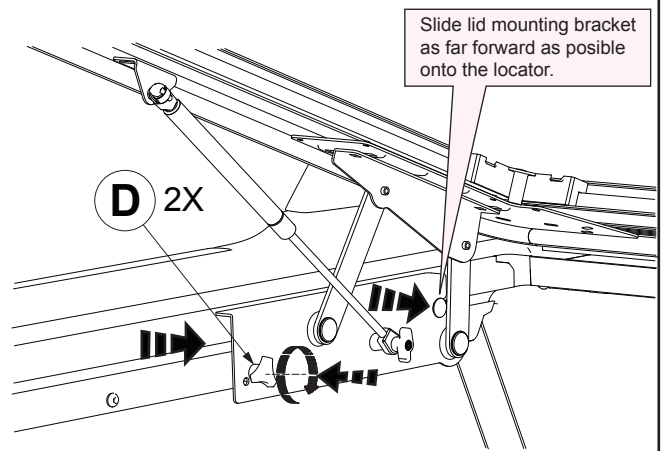
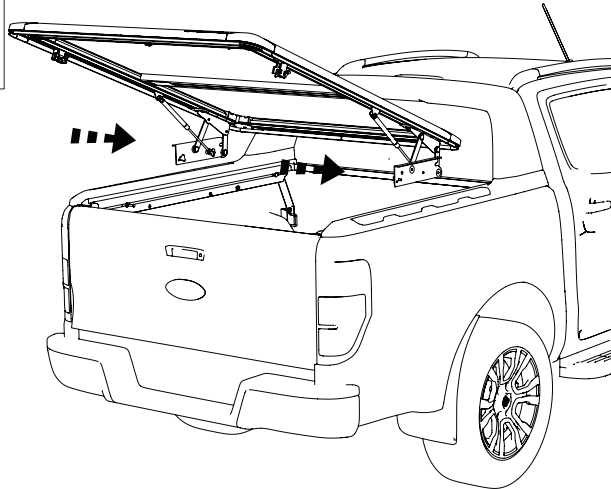
P 2X R 2X Q 2X



17

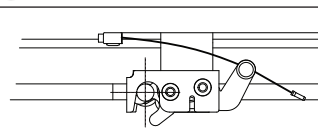
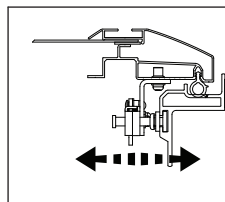
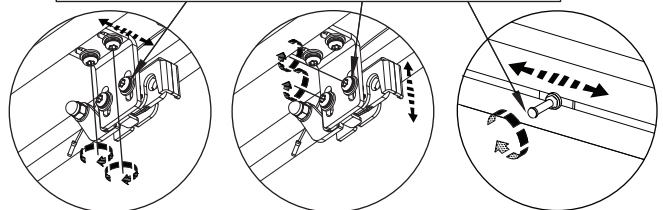
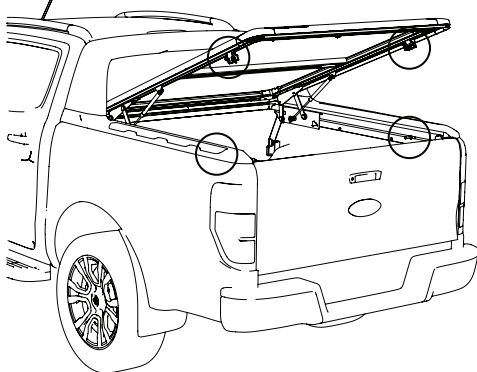


18



19

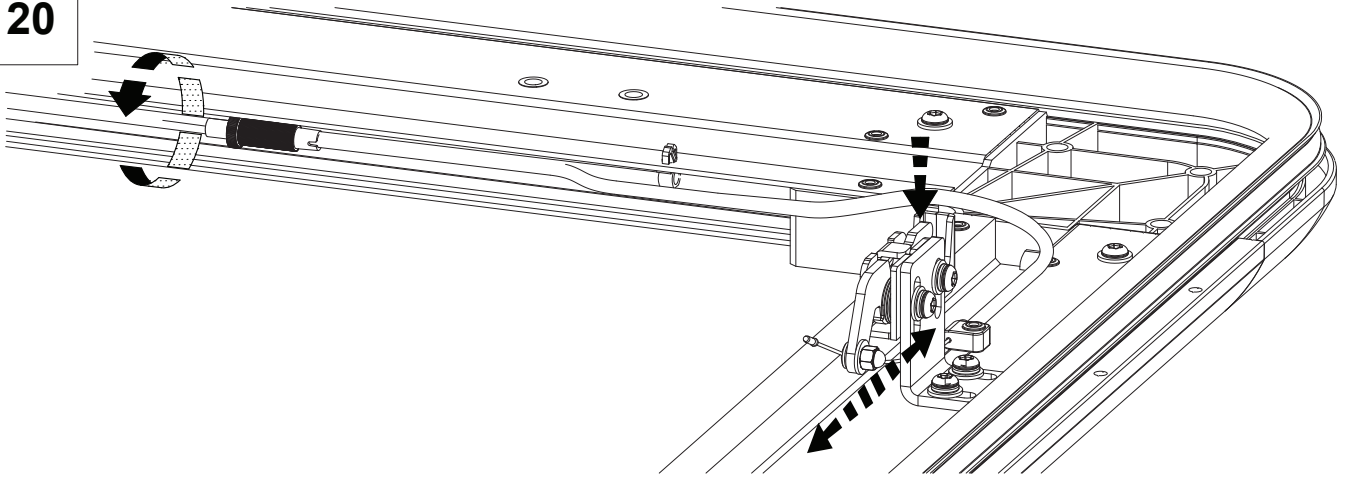
MAX TORQUE SETTING = 8.5Nm OR 6.3 Ft/Pounds



Adjust latch bracket, latch height and pin location to align pin with centre of latch. Adjust cable tension to achieve correct latching. **IMPORTANT!** : Ensure seal contacts vehicle in all areas

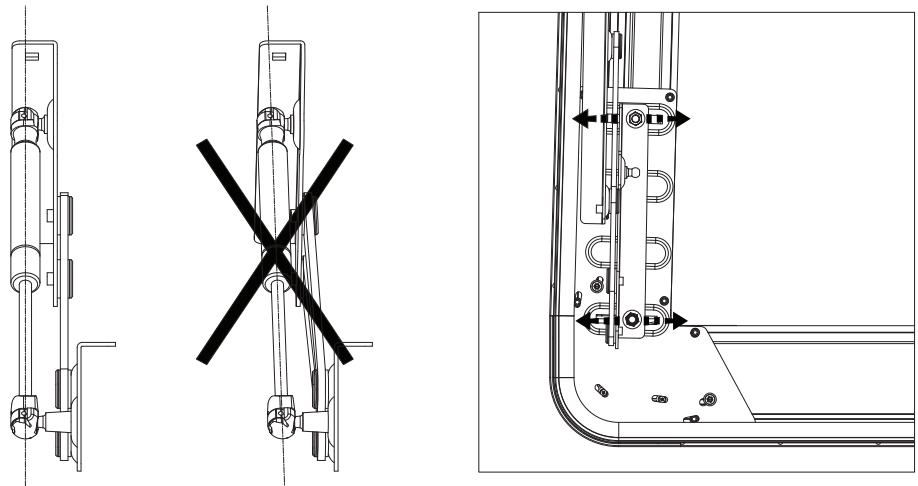
Fitting Kit Number	Product	Revision	Date	Page
KIT900-1RLBF KIT900-2RLBF	UpStone Sailplane Lid	1	18-06-2018	7 of 8

20



21

	<p>Insure hinge is not twisted. Adjust connection to lid if nessessary.</p>
--	---



After installation carefully and thoroughly clean all debris from the inside of the cargo box.  
**Retain these instructions for future reference**

**CAUTION!**

- NEVER allow people or animals under the closed cover
- Do not place unsealed solvents or chemicals under the cover
- Do not stand or place heavy objects on the cover
- Do not open lid when under load.
- Close the cover before operating the vehicle
- Do not allow oil, solvents or chemicals to contact the cover
- Clean only with a mild detergent and water solution

[Info@upstone.fr](mailto:Info@upstone.fr)

Fitting Kit Number	Product	Revision	Date	Page
KIT900-1RLBF KIT900-2RLBF	UpStone Sailplane Lid	1	18-06-2018	8 of 8