



# SUZUKI JIMNY 2018



**45 Min.**

Item Code

**Codice Articolo GP/450/IX**

Reference Article

**GB**

**STAINLESS STEEL  
GRAND PEDANA**

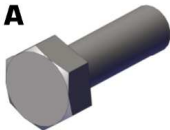


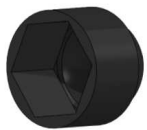
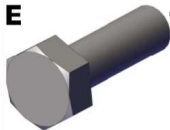

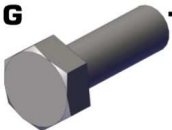



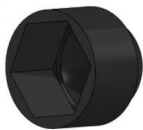
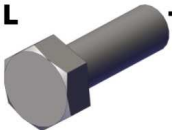


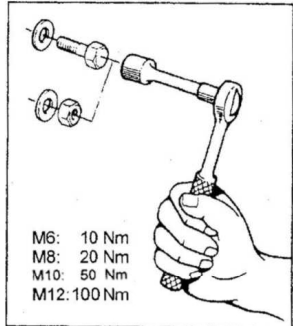



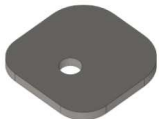
**ITA**

**GRAN PEDANA  
IN ACCIAIO INOX**

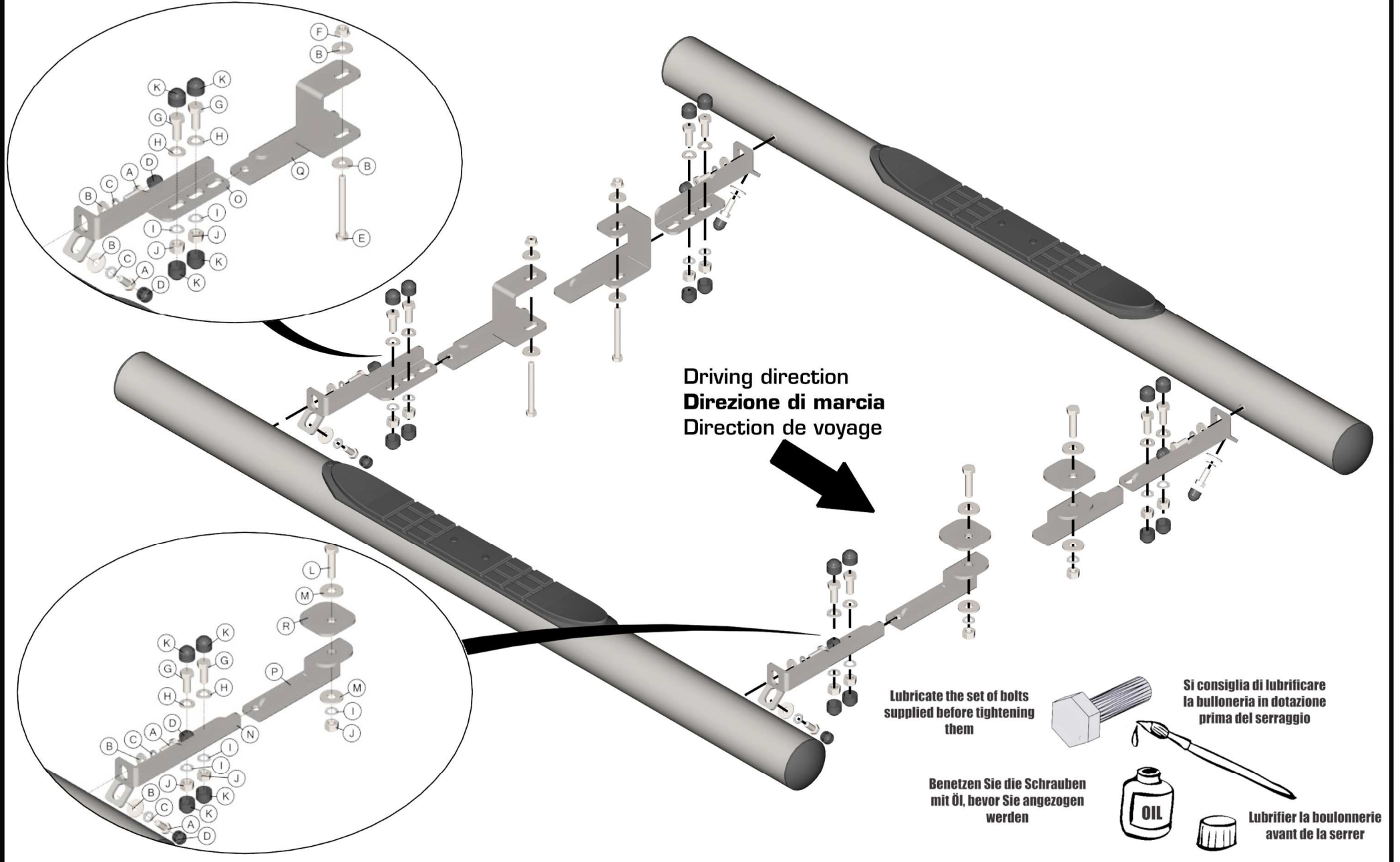
**FR**

**GRAND PEDANA  
EN ACCIER INOX**

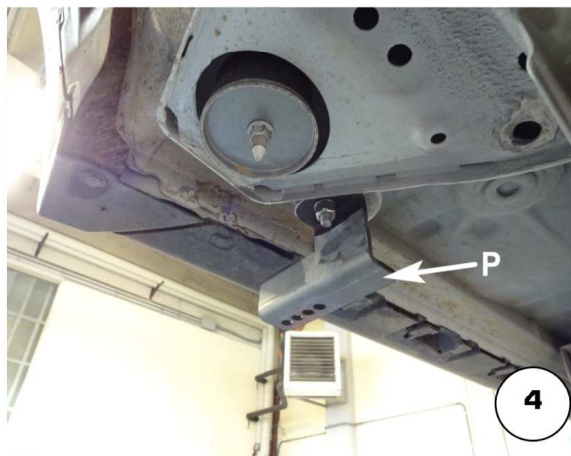
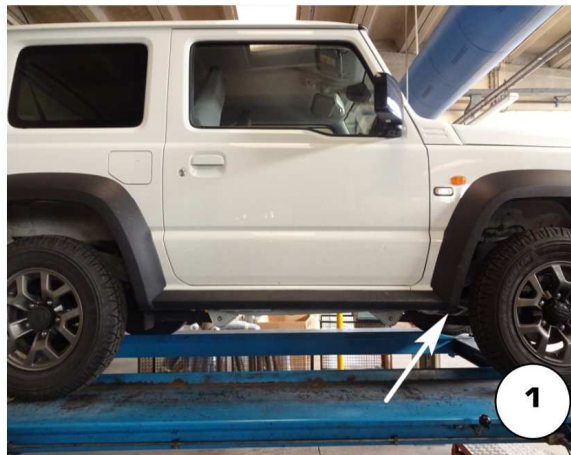
# SUZUKI JIMNY 2018

Part List					
Lista della bulloneria					
Liste des pièces					
<b>A</b>  <b>TE M8X20</b> X 8	<b>B</b>  <b>Ø 8</b> Big Grandi Grand X 12	<b>C</b>  <b>Ø 8</b> X 8	<b>D</b>  <b>M 8</b> X 8	<b>E</b>  <b>TE M8X100</b> X 2	
<b>F</b>  <b>M 8</b> X 2	<b>G</b>  <b>TE M10X25</b> X 8	<b>H</b>  <b>Ø 10</b> X 8	<b>I</b>  <b>Ø 10</b> X 10	<b>J</b>  <b>M 10</b> X 10	
<b>K</b>  <b>M 10</b> X 16	<b>L</b>  <b>TE M10X40</b> X 2	<b>M</b>  <b>Ø 10</b> Big Grandi Grand X 4	<b>N</b>  <b>GP/450/A</b> X 2	 M6: 10 Nm M8: 20 Nm M10: 50 Nm M12: 100 Nm	
<b>O</b>  <b>GP/450/B</b> X 2	<b>P</b>  <b>P/450/B</b> X 2	<b>Q</b>  <b>P/450/C</b> X 2	<b>R</b>  <b>P/450/D</b> X 2		

# SUZUKI JIMNY 2018





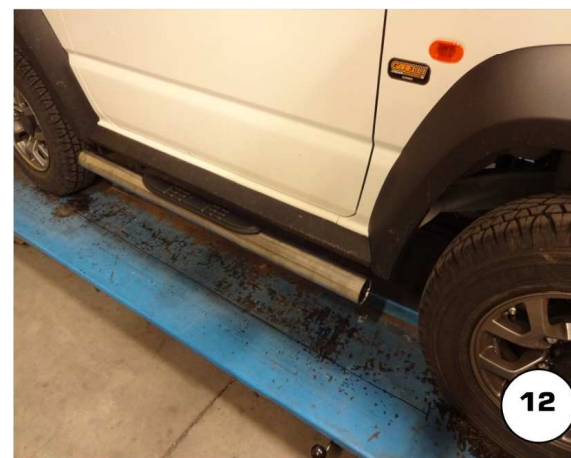


Date Data Date	Item Code Cod. Articolo Réf. Article	Vehicle model Modello Veicolo Modèle de Voiture
23/01/2019	GP/450/IX	SUZUKI JIMNY 2018

Document checked and approved by  
**Documento controllato ed approvato da**  
 Document contrôlé et approuvé par

**BOTTA PIETRO**





Date Data Date	Item Code Cod. Articolo Réf. Article	Vehicle model Modello Veicolo Modèle de Voiture
23/01/2019	GP/450/IX	SUZUKI JIMNY 2018

Document checked and approved by  
 Documento controllato ed approvato da  
 Document contrôlé et approuvé par

**BOTTA PIETRO**