



SUZUKI JIMNY 2018




45 Min.

Item Code
GPO/450/PL
 Codice Articolo
DSP/450/PL
 Référence Article

GB

STAINLESS STEEL OVAL SIDE PROTECTIONS/DESIGN SIDE PROTECTIONS

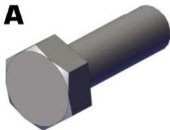


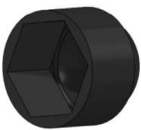
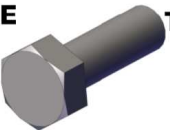

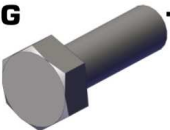



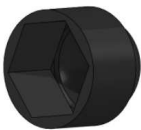
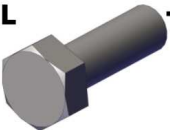


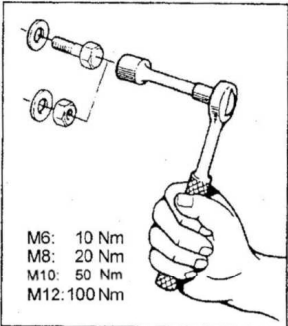



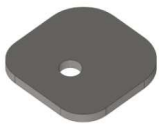
ITA

GRAN PEDANA OVALE/PROTEZIONI LATERALI DESIGN IN ACCIAIO INOX

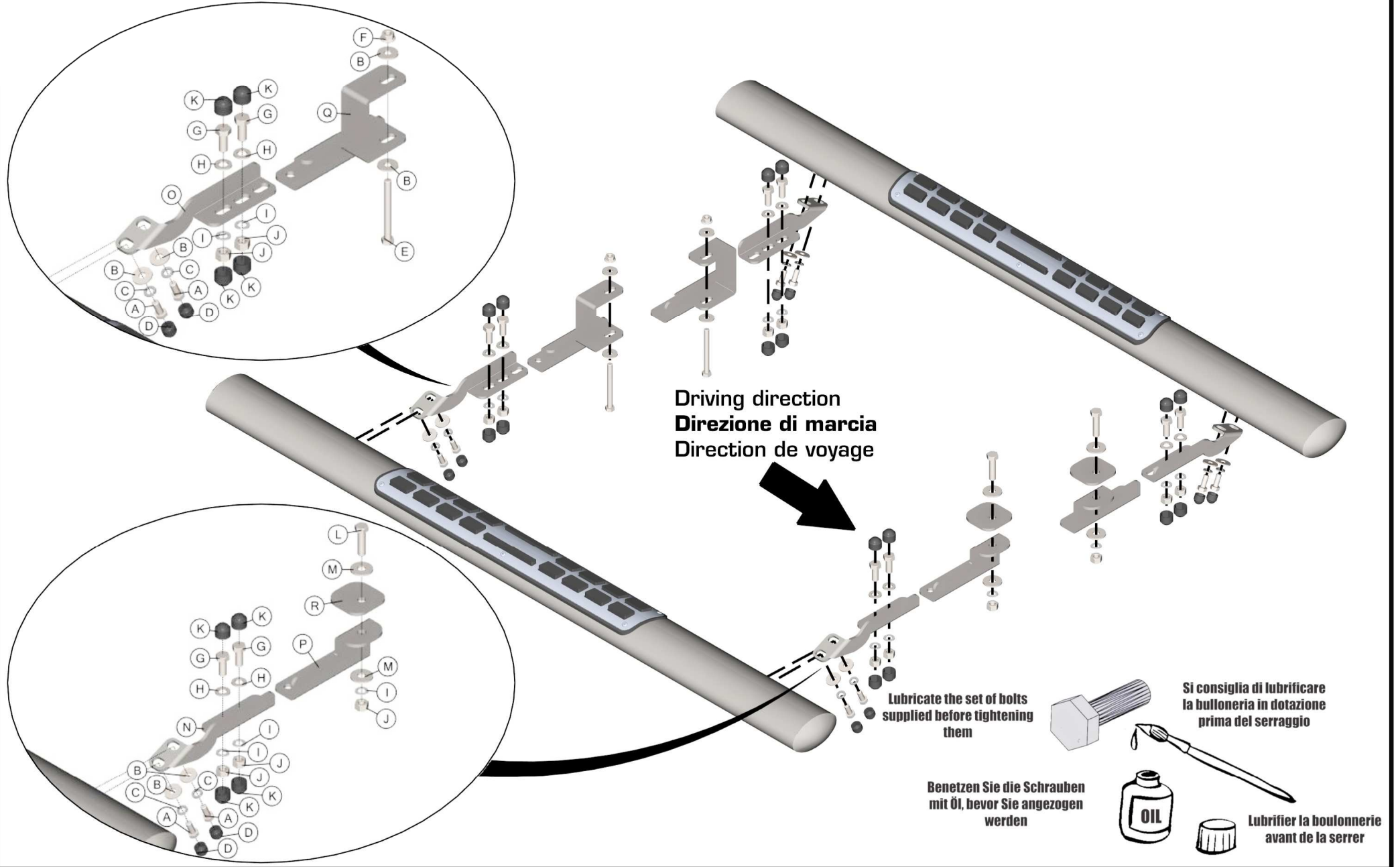
FR

GRAND MARCHEPIED OVALE/PROTECTIONS LATERALES DESIGN EN ACCIER INOX

SUZUKI JIMNY 2018

Part List Lista della bulloneria Liste des pièces					
A  TE M8X20 X 8	B  Ø 8 Big Grandi Grand X 12	C  Ø 8 X 8	D  M 8 X 8	E  TE M8X100 X 2	
F  M 8 X 2	G  TE M10X25 X 8	H  Ø 10 X 8	I  Ø 10 X 10	J  M 10 X 10	
K  M 10 X 16	L  TE M10X40 X 2	M  Ø 10 Big Grandi Grand X 4	N  GPO/450/A X 2	 <p>M6: 10 Nm M8: 20 Nm M10: 50 Nm M12: 100 Nm</p>	
O  GPO/450/B X 2	P  P/450/B X 2	Q  P/450/C X 2	R  P/450/D X 2		

SUZUKI JIMNY 2018





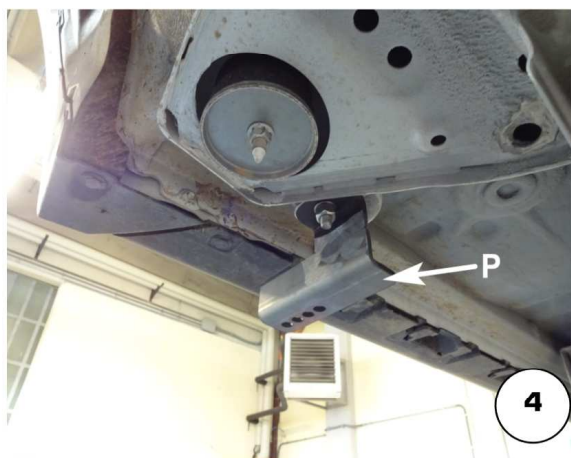
1



2



3



4



5

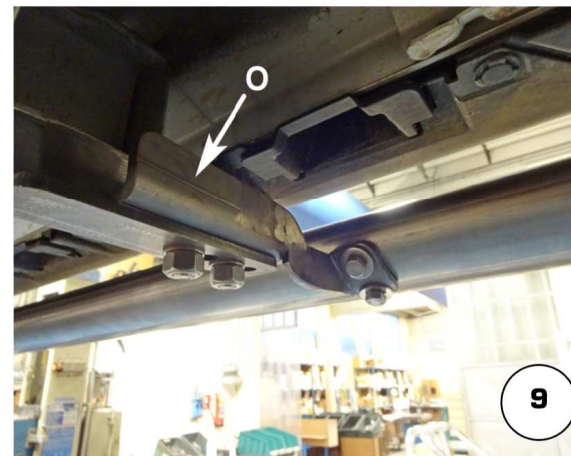


6

Date Data Date	Item Code Cod. Articolo Réf. Article	Vehicle model Modello Veicolo Modèle de Voiture
23/01/2019	GPO/450/PL DSP/450/PL	SUZUKI JIMNY 2018

Document checked and approved by
 Documento controllato ed approvato da
 Document contrôlé et approuvé par

BOTTA PIETRO



Date Data Date	Item Code Cod. Articolo Réf. Article	Vehicle model Modello Veicolo Modèle de Voiture
23/01/2019	GPO/450/PL DSP/450/PL	SUZUKI JIMNY 2018

Document checked and approved by
 Documento controllato ed approvato da
 Document contrôlé et approuvé par

BOTTA PIETRO